



[www.dalmex.net](http://www.dalmex.net)

[www.dalmex.net](http://www.dalmex.net)

**SPARE PARTS CATALOGUE**

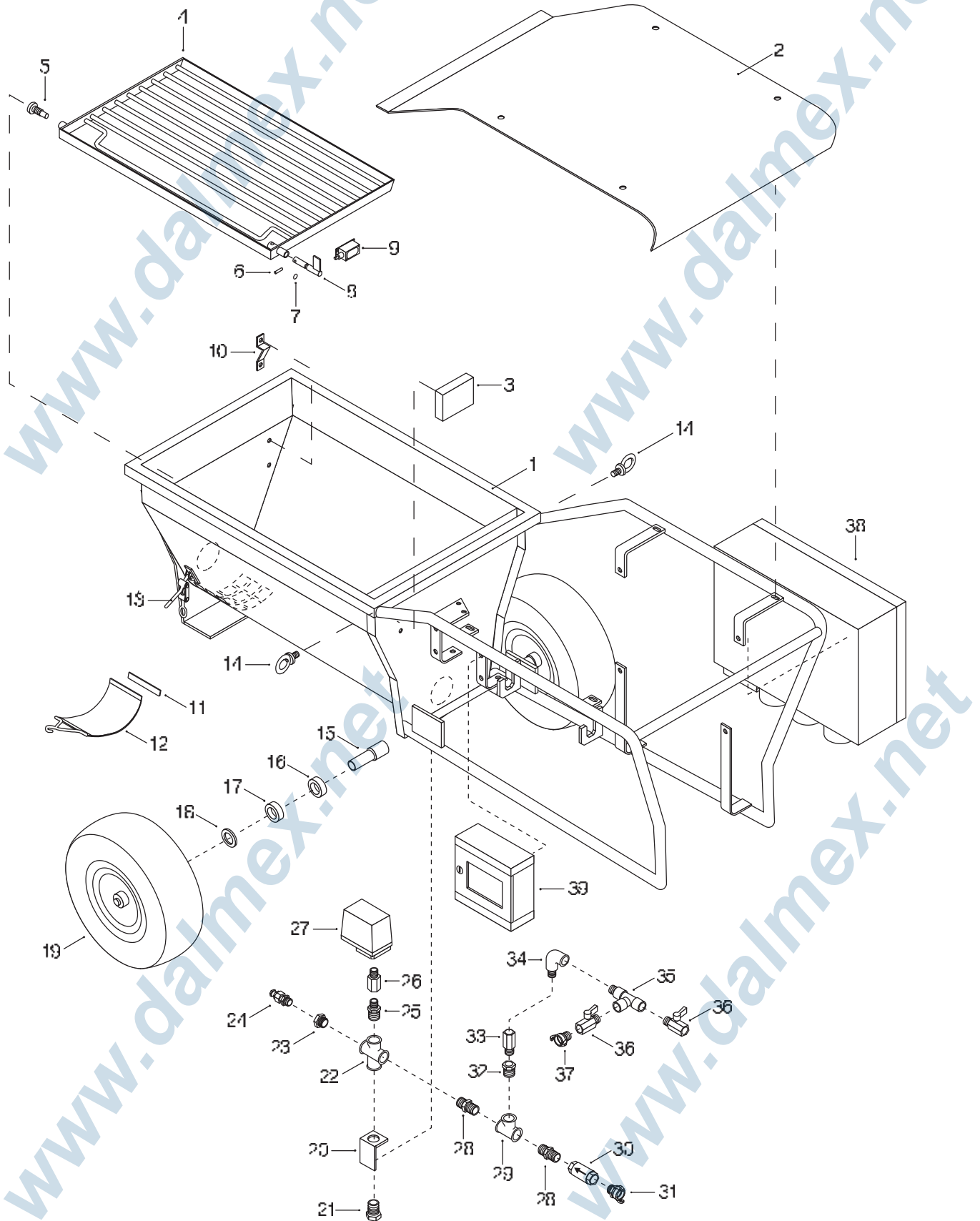


[www.dalmex.net](http://www.dalmex.net)

[www.dalmex.net](http://www.dalmex.net)

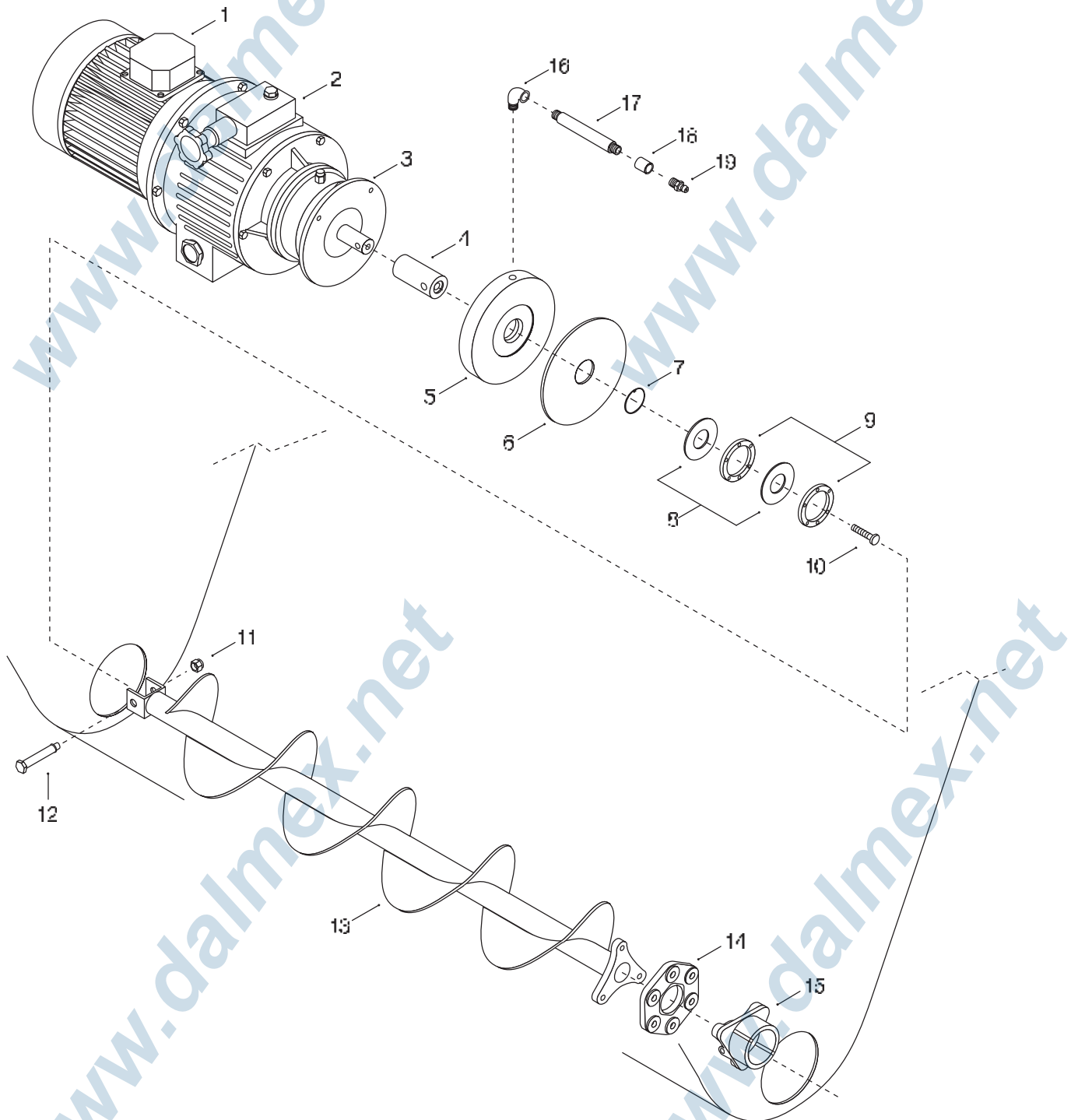
TABLE 1 - machine body

I-01





NP	N° REF	Q.TY	DESCRIPTION
1	221.313	1	Machine body
2	221.333	1	Sheet metal shield
3	221.315	1	Microswitch guard
4	222.141	1	Hopper grid
5	235.227	1	Grid pivot screw
6	543.C11	1	Spring collar
7	233.201	1	O ring
8	223.315	1	Safety grid microswitch lever
9	214.260	1	Limit switch
10	221.748	1	Grid catch
11	221.749	1	Out of cover rubber seal retainer
12	222.145	1	Out of cover rubber seal
13	266.106	1	Hook for clearing flap
14	266.150	2	Male eye bolt
15	241.356	2	Wheel support
16	234.C12	2	Bearing
17	264.006	2	Bearing
18	545.014	2	Shafting
19	213.C27	2	Wheel
20	227.395	1	Air unit bracket
21	242.C17	1	Extended plug 1/2"
22	281.C72	1	Cast-iron cross 1/2"
23	281.C42	1	Flare reducer 1/2" - 1/4"
24	212.014	1	Safety valve 1/4"
25	261.464	1	Hydraulic nipple 1/2" - 1/4"
26	261.246	1	Rotating hydraulic coupling GMF 1/4"
27	214.290	1	Three-phase pressure switch 2CA
28	261.036	2	Cast-iron nipple 1/2"
29	261.059	1	Cast-iron union tee 1/2"
30	212.323	1	Check valve 1/2"
31	261.114	1	Brass male automatic coupling 1/2"
32	261.043	1	Steel reducer 1/2" - 3/8"
33	261.203	1	Hydraulic extension MF 3/8"
34	281.C15	1	Flare elbow MF 3/8"
35	261.143	1	Flare union tee FFM 3/8"
36	212.511	2	Manual valve MF 3/8"
37	261.146	1	Brass male automatic coupling 3/8"
38	211.243	1	Switchboard 380 V
39	652.256	1	General no.s agno

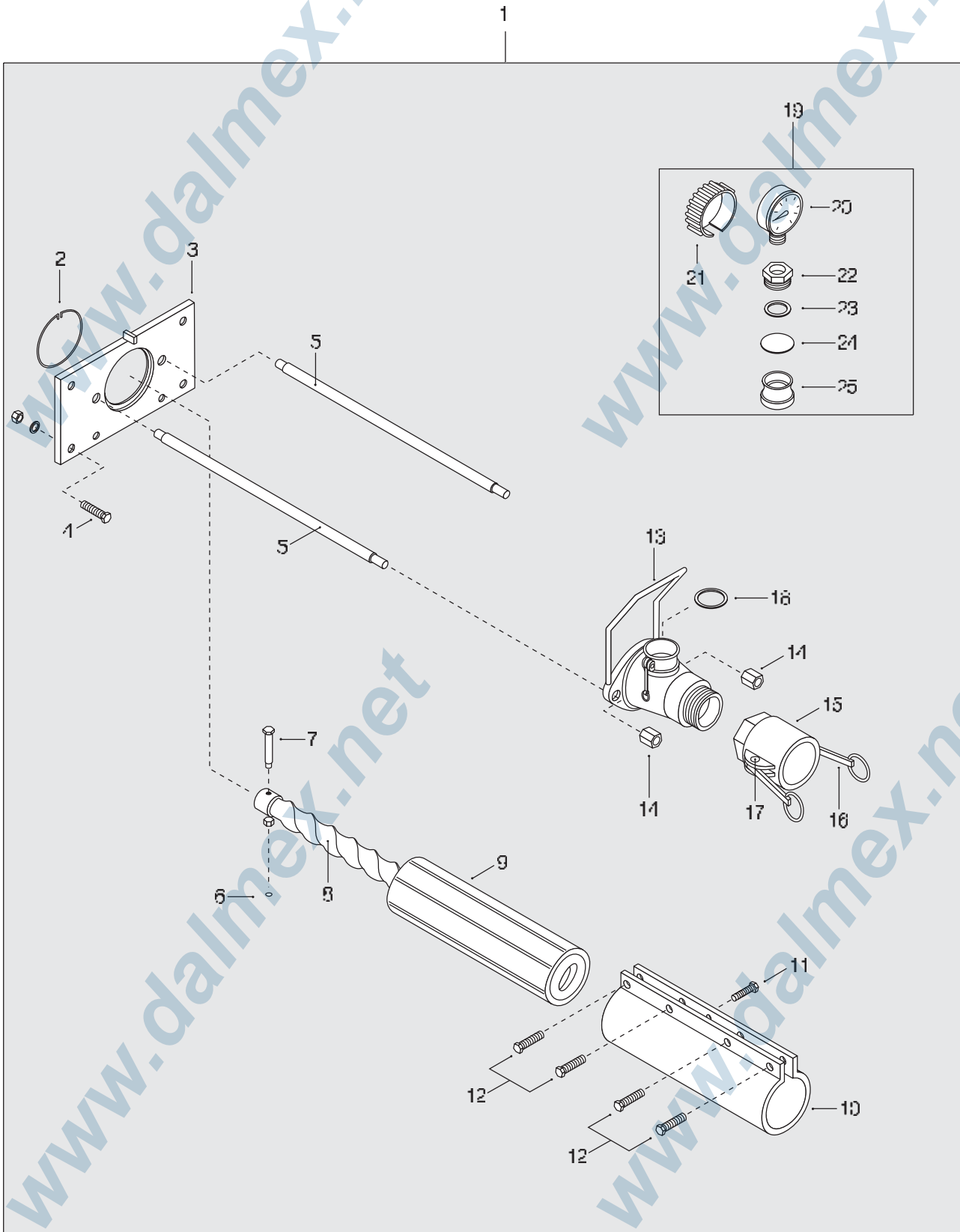
**TABLE 2 - motor - drive****I-02**



NP	N° REF	Q.TY	DESCRIPTION
1	211 429	1	Three-phase motor 5.5 kW - 4 poles
2	216 468	1	Reduction gear
3	214 502	1	Socket and socket reducer
4	251 221	1	Pull hub
5	241 246	1	Coupling flange
6	248 049	1	Hopper gasket
7	253 257	1	Sealing ring
8	248 048	2	Seal
9	245 106	2	Galvanized seal retainer
10	540 117	1	Hexagon flister head socket screw TCO (M1 x 30)
11	542 024	1	Self-locking nut
12	255 289	1	Agitator screw
13	220 125	1	Agitator for flexible coupling
14	264 101	1	Flexible coupling
15	264 102	1	Universal joint
16	261 012	1	Cast-iron elbow MF 1/4"
17	245 032	1	Pipe 1/4" x 140
18	261 031	1	Galvanized coupling sleeve 1/4"
19	261 029	1	Straight hydraulic grease cup 1/4"

TABLE 3 - pump T25

I-03

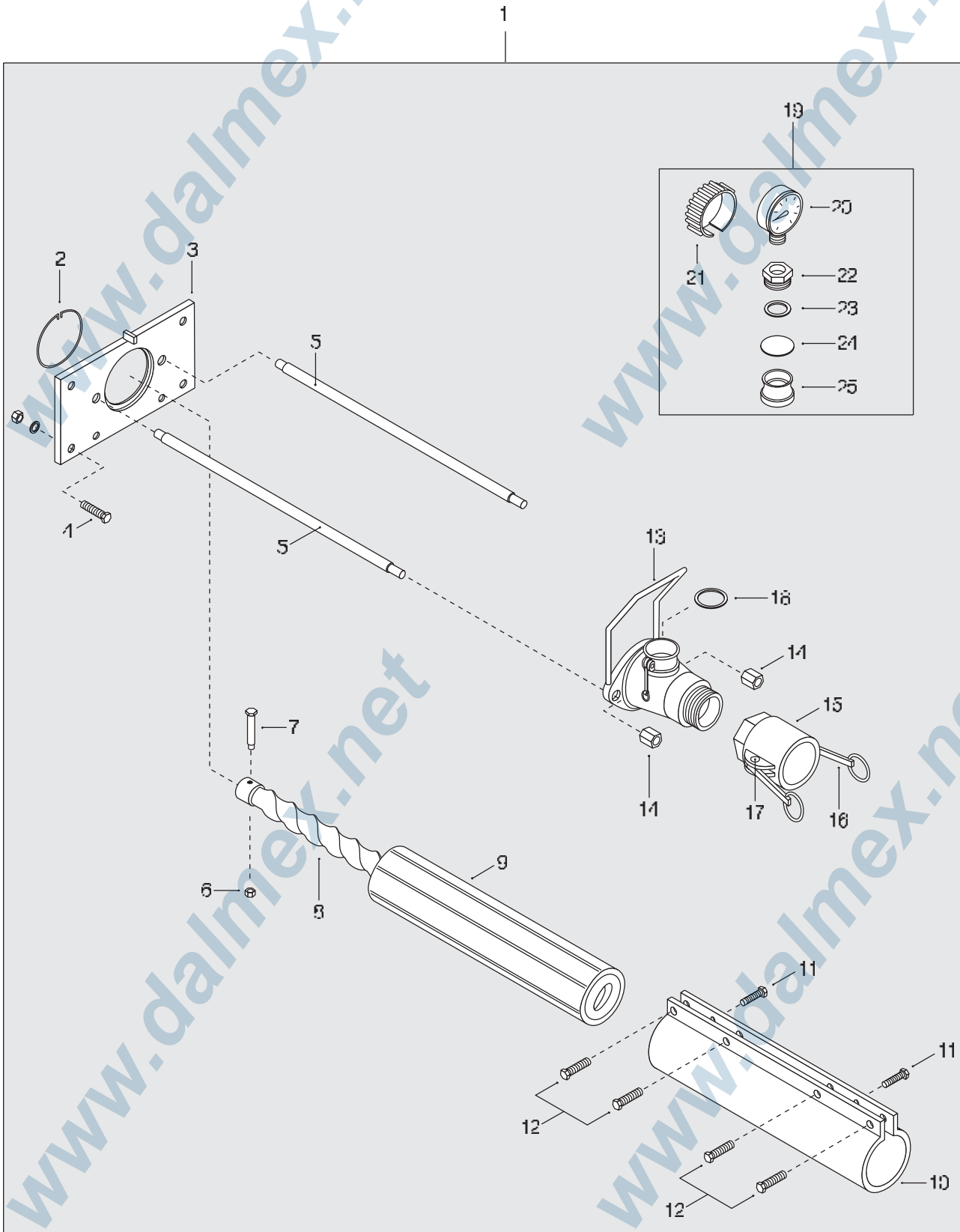




NP	N° REF	Q.TY	DESCRIPTION
1	<b>216.414</b>	<b>1</b>	<b>Pump for traditional mortars T25 - complete</b>
2	263.277	1	O ring
3	243.072	1	Pump T25 filling flange
4	541.103	4	Hexagon-head screw 8.8 M14 x 60
5	241.068	2	Pump stay rod M16 x 335 - galvanized
6	543.021	1	Self-locking nut M12
7	265.223	1	Hexagon-head screw for fixing worm screw M12x94
8	250.128	1	Worm screw T25
9	238.030	1	Stator T25
10	223.031	1	Stator clamp T25
11	541.104	1	Hexagon-head screw 8.8 M16x70
12	540.066	4	Hexagon-head screw 8.8 M16x90
13	223.212	1	Delivery header body with sleeve
14	543.051	2	Hexagon nut M16
15	266.185	1	Coupling F - DN50 - 2"
16	251.178	2	Lever for cam-lock coupling
17	543.002	2	Spring collar Ø 6 x 35
18	237.073	1	Gasket DN50
19	216.411	1	Pressure gauge unit DN25
			(20) code 212.109 n°1 Pressure gauge Ø 63
			(21) code 283.156 n°1 Radial pressure gauge cover Ø 60
			(22) code 251.250 n°1 Galvanized/machined reduction piece 1" 1/2 - 1/4"
			(23) code 245.110 n°1 Diaphragm retaining ring
			(24) code 277.110 n°1 Gauge diaphragm
			(25) code 245.109 n°1 Automatic coupling head

TABLE 4 - pump 2L6

I-04



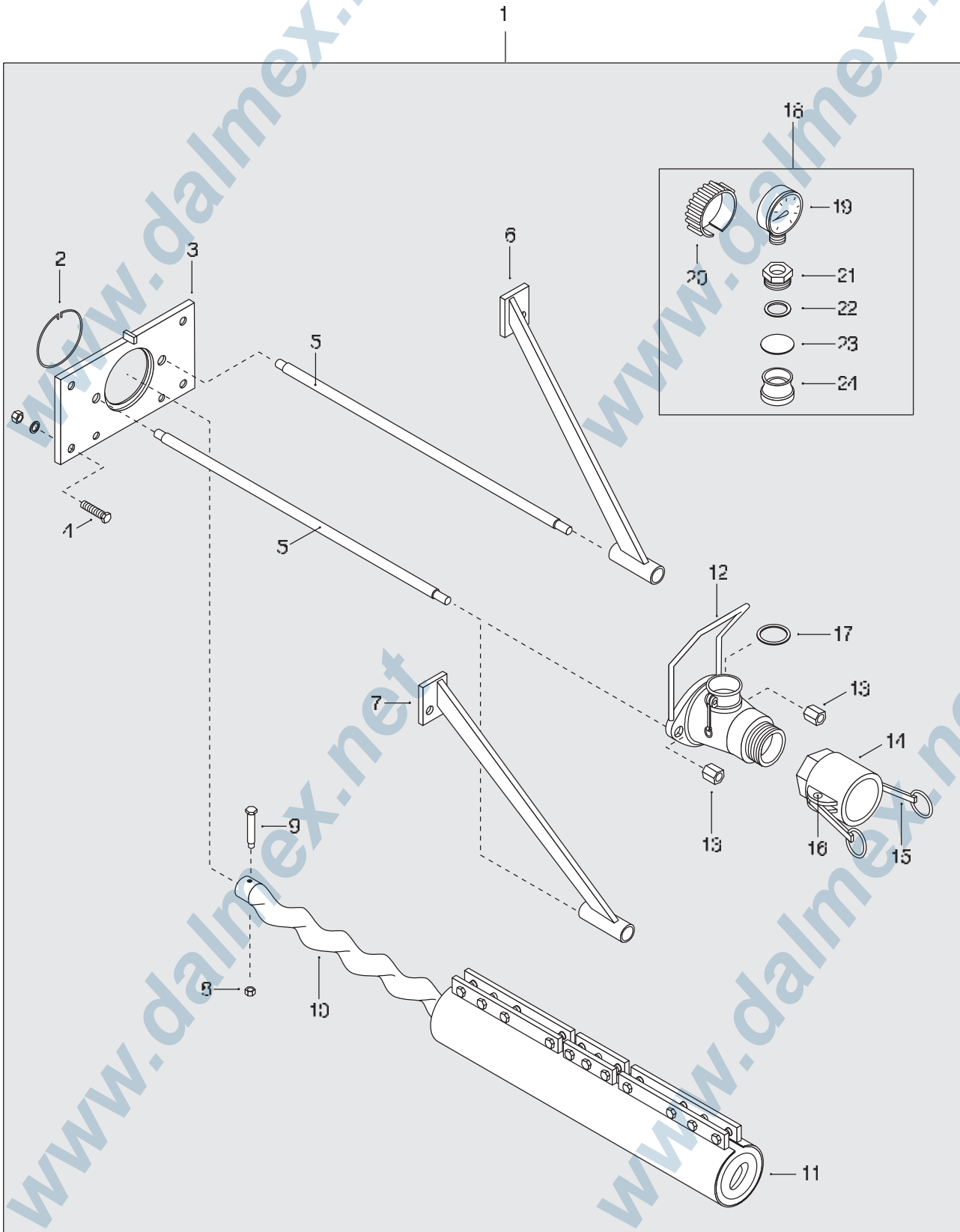




NP	N° REF	Q.TY	DESCRIPTION
1	<b>216.409</b>	<b>1</b>	<b>Pump for ready mixes 2L6 - complete</b>
2	263.272	1	O ring
3	223.274	1	Pump 2L6 tilting flange
4	541.103	4	Hexagon-head screw 8.8 M14 x 60
5	241.069	2	Pump stay rod M16 x 575
6	543.021	1	Self-locking nut M12
7	265.223	1	Hexagon-head screw for fixing worm screw M12 x 94
8	250.123	1	Worm screw 21 6
9	263.164	1	Yellow seal for 21 6
10	223.214	1	Stator clamp 2L6
11	541.104	2	Hexagon-head screw 8.8 M16x70
12	540.066	4	Hexagon-head screw 8.8 M16x90
13	223.212	1	Delivery header body with sleeve
14	543.051	2	Hexagon nut M16
15	266.165	1	Coupling F - DN50 - 2"
16	251.173	2	Cam-lock coupling lever
17	543.002	2	Spring collar Ø 6 x 35
18	237.073	1	Gasket DN50
19	216.411	1	Pressure gauge unit DN25
			(20) code 212.109 n°1 Pressure gauge Ø 63
			(21) code 283.156 n°1 Radial pressure gauge cover Ø 60
			(22) code 251.250 n°1 Galvanised/machined reduction piece 1" 1/2 1/1"
			(23) code 245.110 n°1 Diaphragm retaining ring
			(24) code 277.110 n°1 Gauge diaphragm
			(25) code 245.109 n°1 Automatic coupling head

TABLE 5 - pump 60.12

I-05

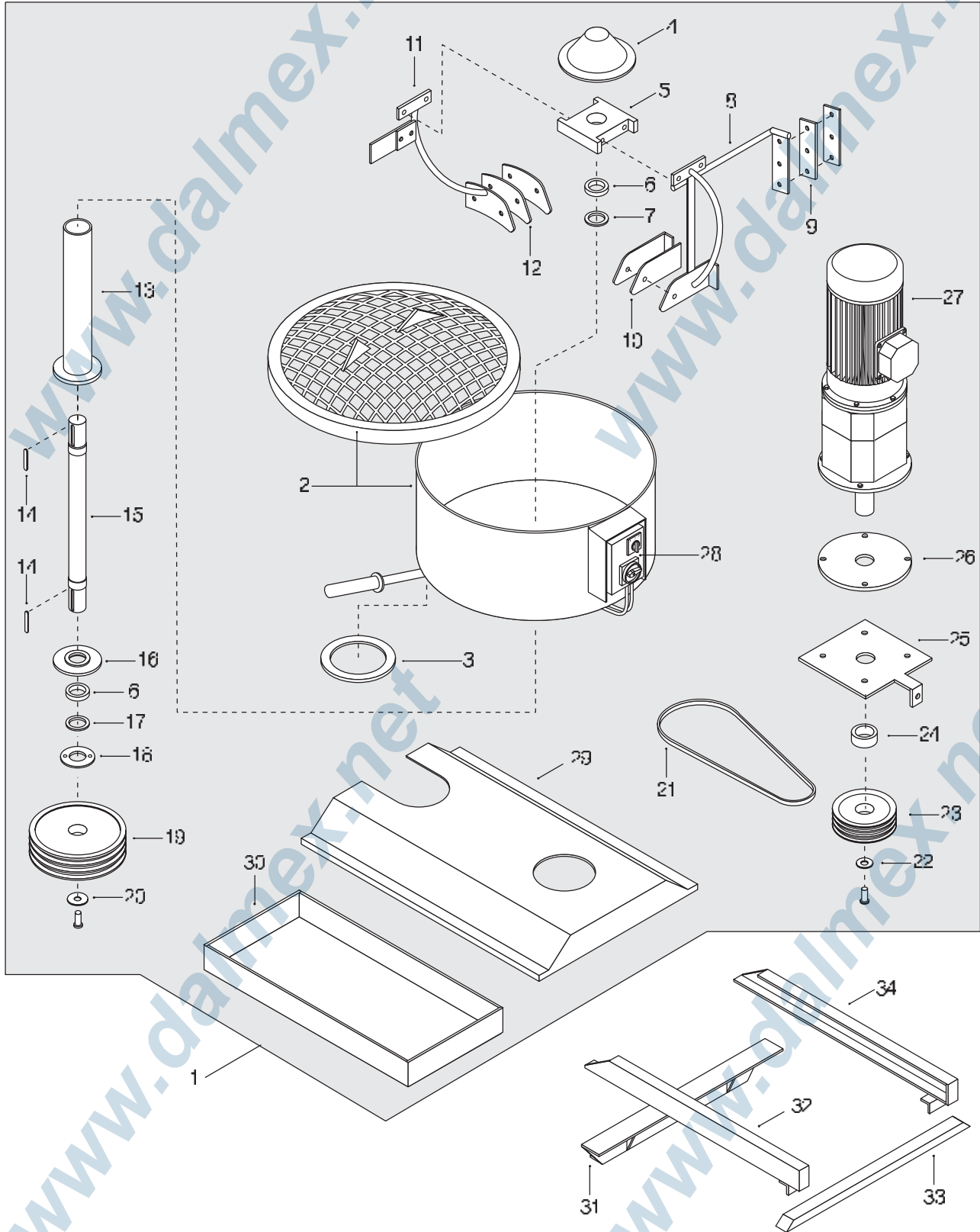




NP	N° REF	Q.TY	DESCRIPTION
1	216.442	1	Pump for self-leveling screeds 60.12 - complete
2	253.272	1	O-ring
3	242.074	1	Pump 60.12 tilling flange
4	540.060	4	Hexagon-head screw M14 x 40
5	241.302	2	Pump stay rod M16x713
6	227.422	1	Right pump stay rod support
7	227.421	1	Left pump stay rod support
8	543.021	1	Self-locking nut
9	255.223	1	Hexagon-head screw for fixing worm screw M12x94
10	250.136	1	Worm screw 60.12
11	253.366	1	Stator 60.12
12	223.212	1	Delivery header with sieve
13	543.051	2	Hexagon nut M16
14	266.165	1	Coupling F - DN50 - 2"
15	251.173	2	Cam-lock coupling lever
16	543.002	2	Spring coupler Ø 6 x 35
17	237.073	1	Casket DN50
18	216.411	1	Pressure gauge unit DN25
			(19) code 212.109 n°1 Pressure gauge Ø 63
			(20) code 233.156 n°1 Radial pressure gauge cover Ø 60
			(21) code 251.250 n°1 Galvanised/machined reduction piece 1" 1/2 - 1/4"
			(22) code 245.110 n°1 Diaphragm retaining ring
			(23) code 247.110 n°1 Gauge diaphragm
			(24) code 245.109 n°1 Automatic coupling head

TABLE 6 - enhanced pan mixer

I-07

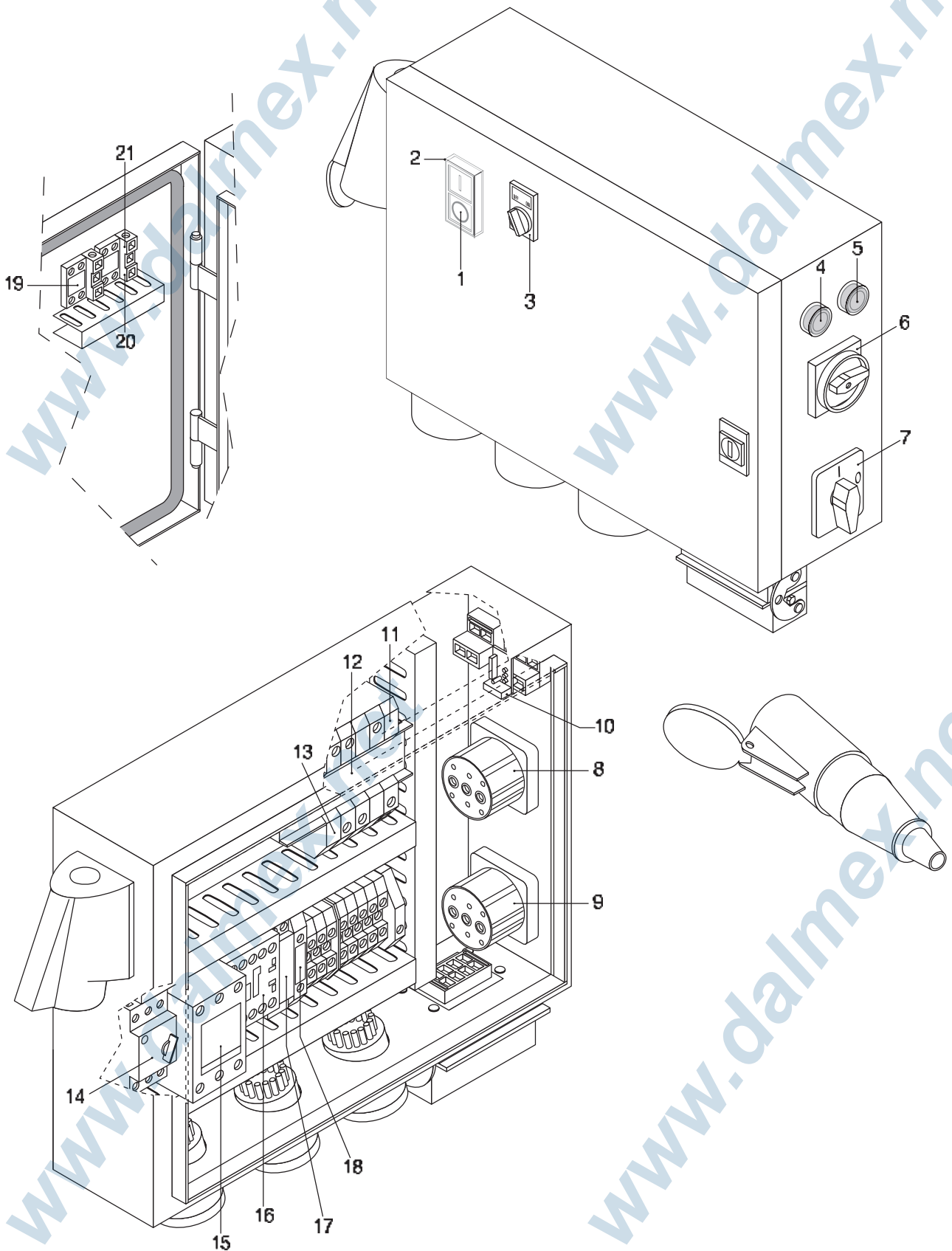




NP	N° REF	Q.TY	DESCRIPTION
1	216 359	1	Complete pan mixer
2	229 063	1	Pan mixer
3	274 050	1	Pan mixer discharge door gasket
4	-----	1	Head protection
5	234 088	1	Pan mixer head
6	264 038	2	Bearing
7	263 249	1	Sealing ring
8	-----	1	Complete side scraper
9	274 043	1	Top scraper rubber seal
10	274 044	1	Low scraper rubber seal
11	-----	1	Complete central base
12	274 045	1	Central scraper rubber seal
13	-----	1	Mixer shaft support
14	546 013	2	Tongue
15	241 301	1	Pan mixer shell
16	242 073	1	Pan mixer bearing housing
17	545 018	1	Shaft ring
18	245 139	1	Bearing cover
19	262 039	1	Pulley Ø 250
20	224 010	1	Washer
21	265 038	3	"V" bolt
22	224 009	1	Washer
23	262 108	1	Pulley Ø 160
24	245 140	1	Spacer
25	221 741	1	Pan mixer lightning tange
26	221 264	1	Pan mixer gear motor guiding disk
27	216 356	1	Three-phase gearmotor
28	211 433	1	Pan mixer switchboard
29	227 264	1	Pan mixer support
30	221 263	1	Closing case
31	227 466	1	Top mixer support
32	227 469	1	Left guide support
33	227 467	1	Low mixer support
34	227 468	1	Right guide support

TABLE 7 - remote control

I-08

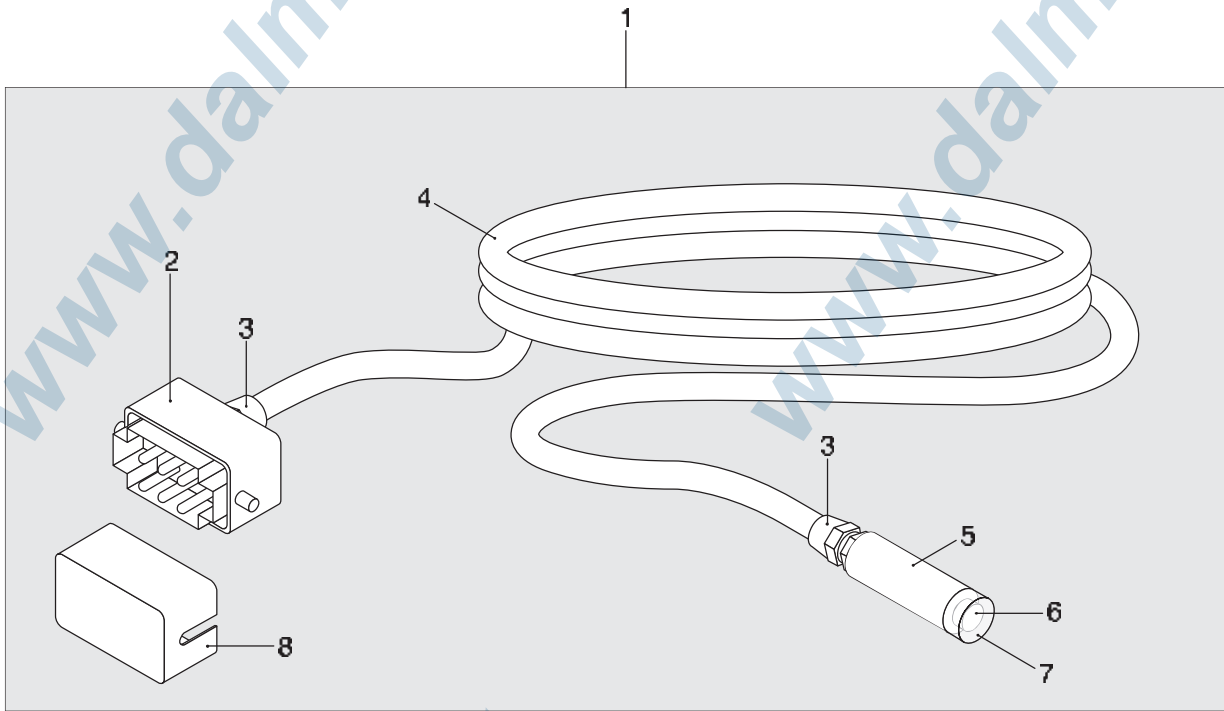




NP	N° REF	Q.TY	DESCRIPTION
<b>211.248 Three-phase switchboard</b>			
1	214.432	1	Double pushbutton 0-1
2	214.431	1	Protective cap for pushbutton
3	-----	1	Selecter 0-1
4	214.450	1	Blue light bulb
5	214.398	1	Complete red alarm ringer
6	-----	1	Control
7	214.305	1	Brushing backplate (10 2)
8	-----	1	Main on-off switch
9	214.373	1	Reversing switch
10	214.443	1	Correc. voltage board 2/V
11	214.452	1	Glass fuse 5A
12	214.074	1	Transformer 100VA
13	553.071	1	Glass fuse 1A
14	214.401	1	Overload circuit
15	214.423	1	Contact
16	214.426	1	Contact
17	214.405	1	Relay 2A - 24 Vac
18	553.074	1	Glass fuse 1A
19	217.412	1	Contact carrier for pushbutton 0-1
20	214.434	1	Block with NO contact
21	214.433	1	Block with NO contact

TABLE 8 - remote control

I-09





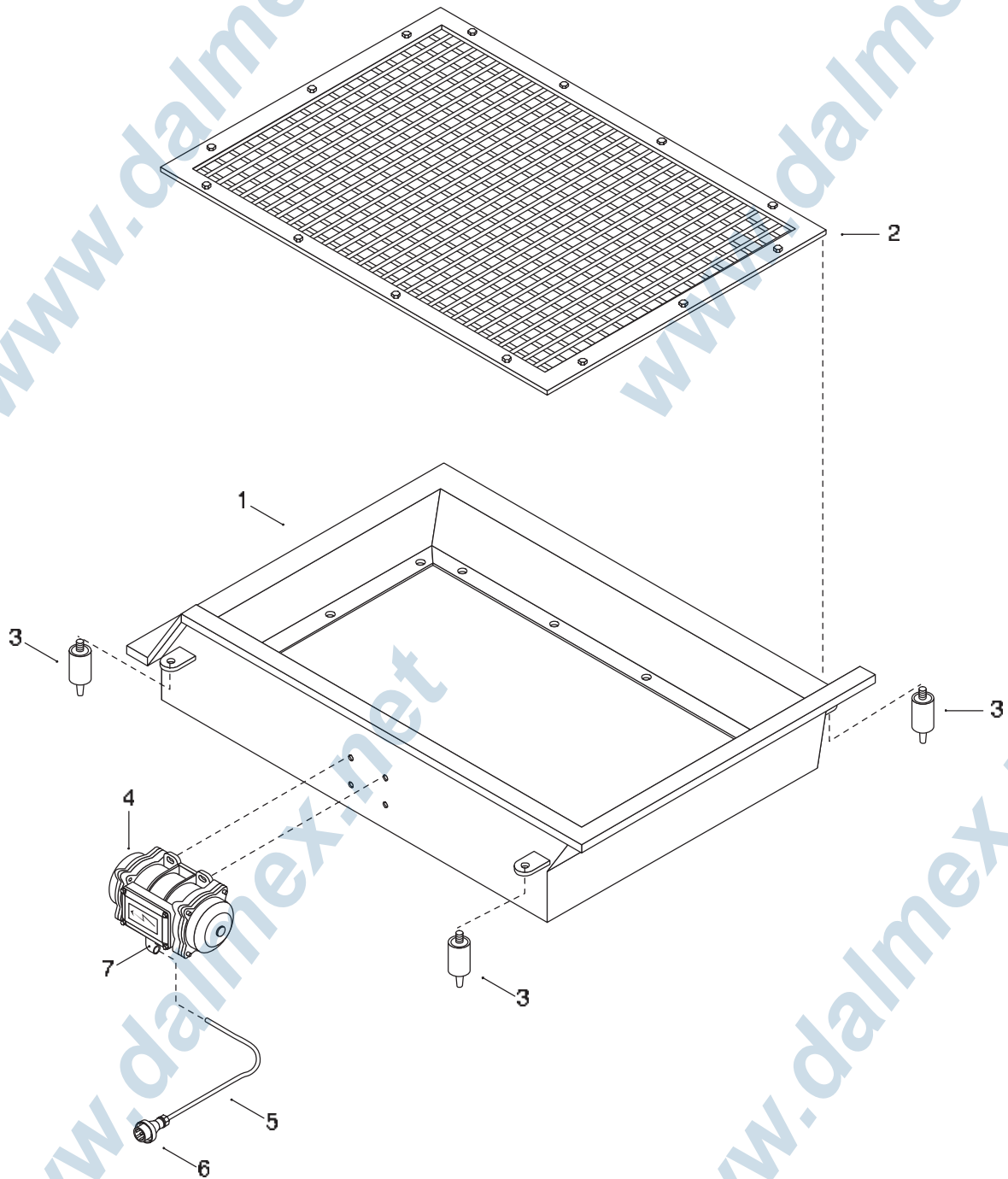


NP	N° REF	Q.TY	DESCRIPTION
1	206.115	1	Electric remote control (33 metres of cable)
2	552.053	1	Plug body for connector 6P-E
3	554.028	2	Cable grip
4	550.035	1	Nacprene flex
5	247.113	1	Remote control body
6	214.294	1	Switch with res cap
7	214.170	1	Cap for pushbutton
8	552.103	1	Module housing for connector



TABLE 9 - vibrating screen code 206.184

I-10



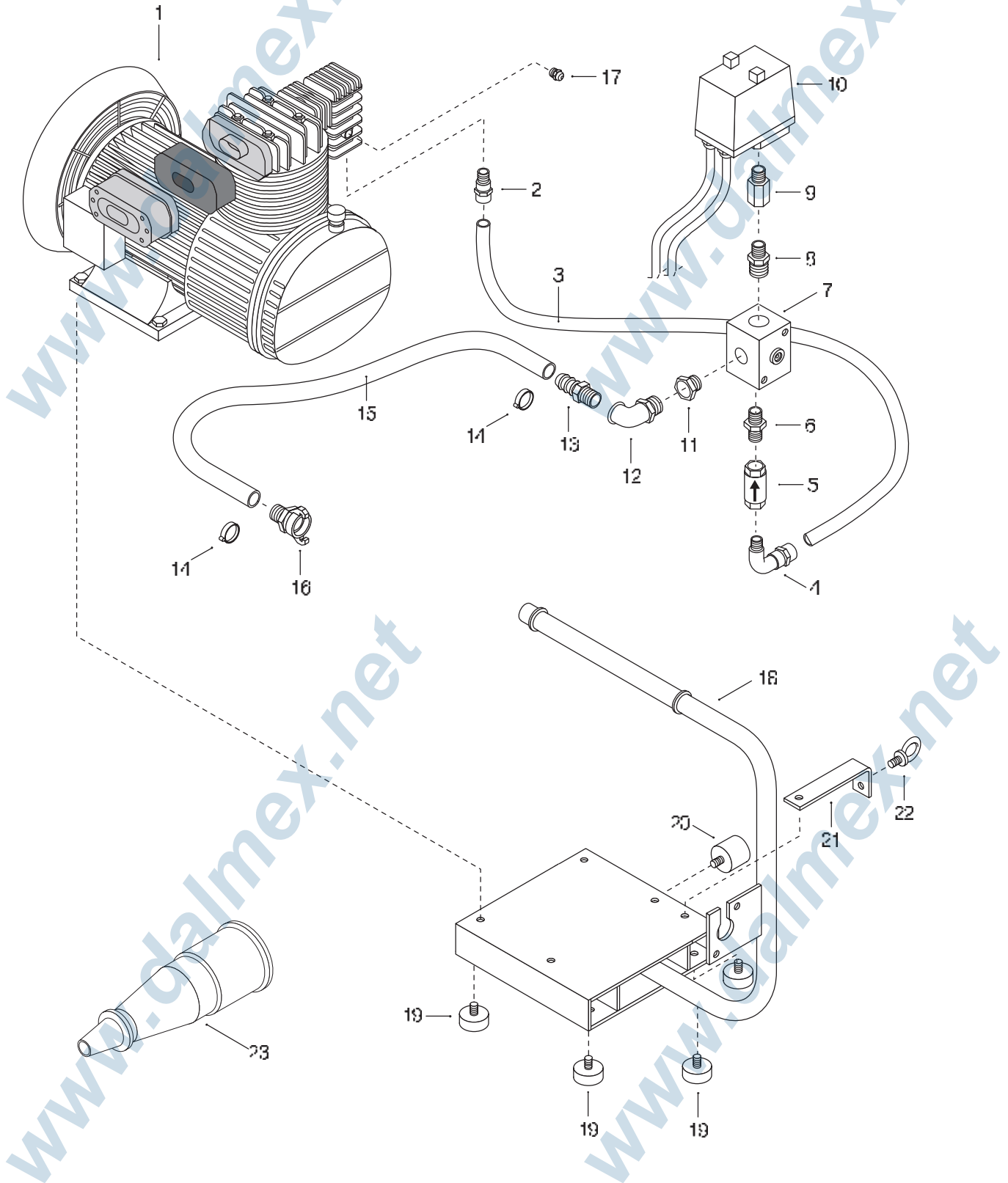


NP	N° REF	Q.TY	DESCRIPTION
<b>206.184 Complete vibrating screen</b>			
1	229.086	1	Screen
2	229.060	1	Frame with mesh (mesh aperture 6 mm)
3	238.000	4	Shock absorber
4	211.014	1	Three-phase motor-driven vibrator
5	550.032	1	Nacprene flex
6	552.036	1	Plug 16A 3P+E 380V
7	281.018	1	Cast-iron elbow MF 1/2"



TABLE 10 - complete three-phase compressor code 216.415

I-11

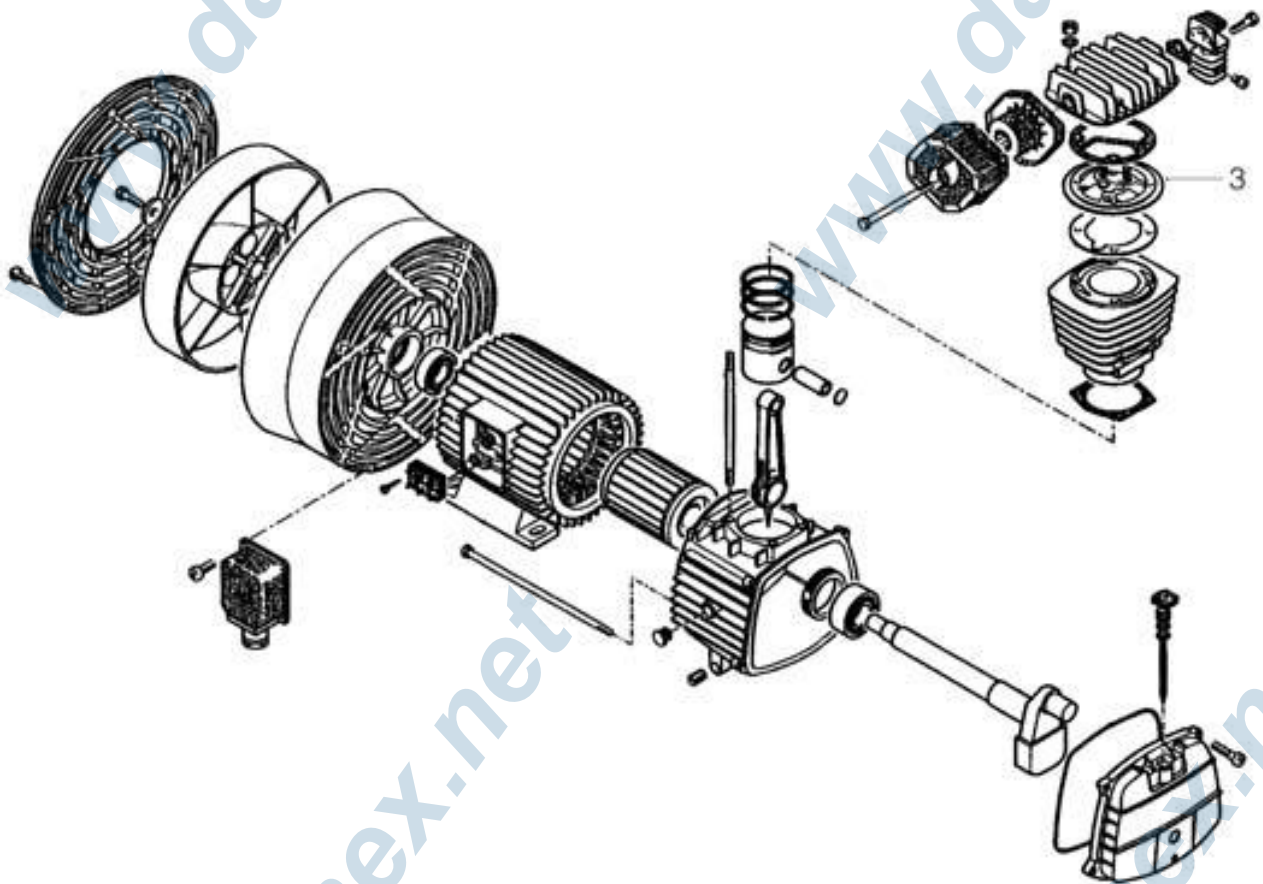




NP	N° REF	Q.TY	DESCRIPTION
1	210.137	1	Three phase compressor (1.5 kW - 250 l/min)
2	281.287	1	Straight automatic coupling 1/2"
3	640.082	1	Pi san pipe (0.5 m)
4	281.288	1	Automatic coupling 90° 1/2"
5	212.323	1	Check valve 1/2"
6	281.038	1	Cast iron nipple 1/2"
7	244.048	1	Pressure switch support block
8	281.484	1	Hydraulic nipple 1/2" - 1/4"
9	281.431	1	Reducer MF 1/2" - 1/4"
10	214.278	1	Pressure switch with overload output
11	281.154	1	Brass reducer MF 1/4" - 3/8"
12	281.015	1	Brass elbow MF 3/8"
13	281.145	1	Hose connection 3/8"
14	288.304	2	Hose clamp
15	640.012	1	Hose (1.00 m)
16	281.147	1	Brass automatic coupling
17	281.299	1	Hydraulic plug M 3/8"
18	227.363	1	Three-phase compressor support
19	238.015	5	Bumper
20	238.022	1	Bumper
21	221.757	1	Three-phase compressor retainer
22	235.075	1	Male eyebol. - galvanised
23	552.113	1	Plug

TABLE 10 A - three-phase compressor code 210.137

I-11/A





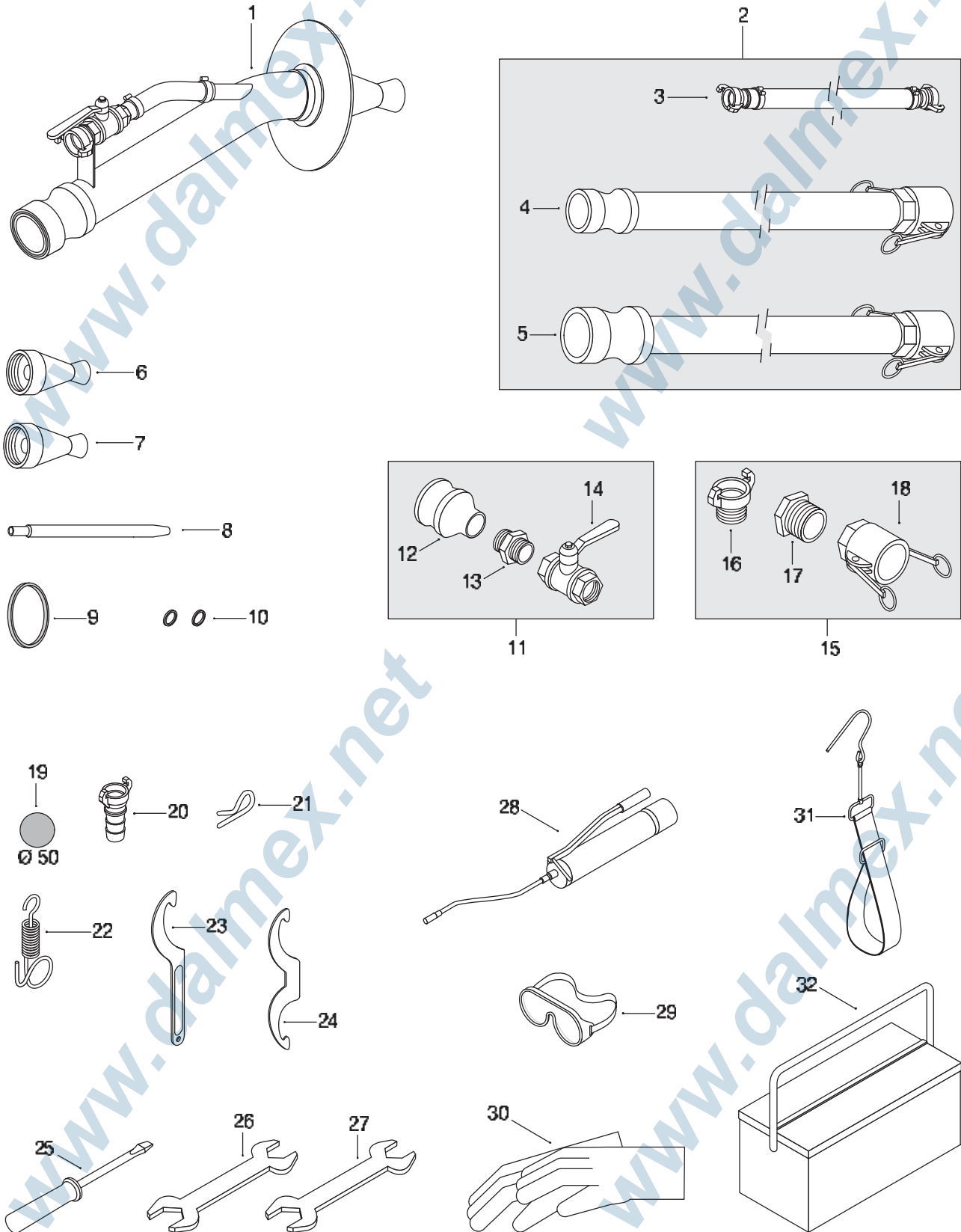
NP	N° REF	Q.TY	DESCRIPTION
1	272.153	1	Compresor segments kit
2	272.154	1	Compresor gaskets kit
3	272.160	1	Valves support plate

www.dalmex.net

www.dalmex.net

TABLE 11 - accessory box code 201.112

I-12



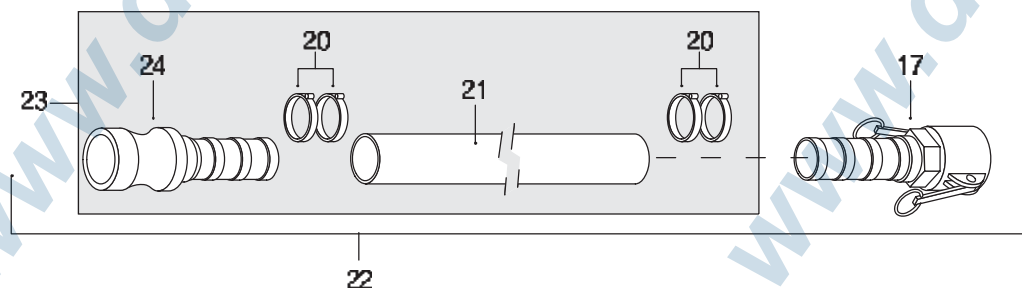
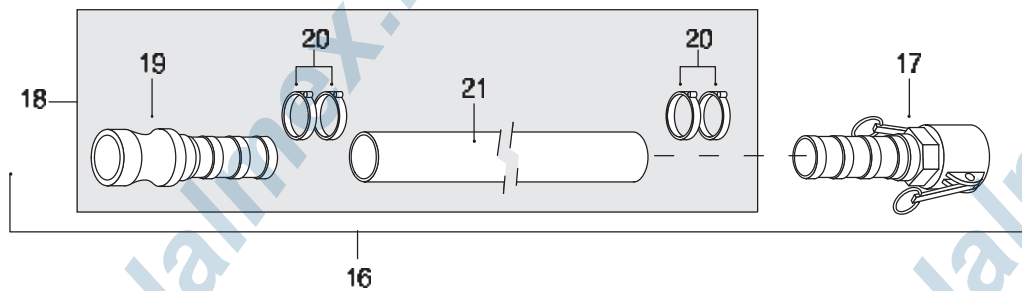
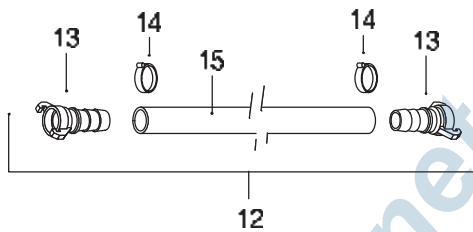
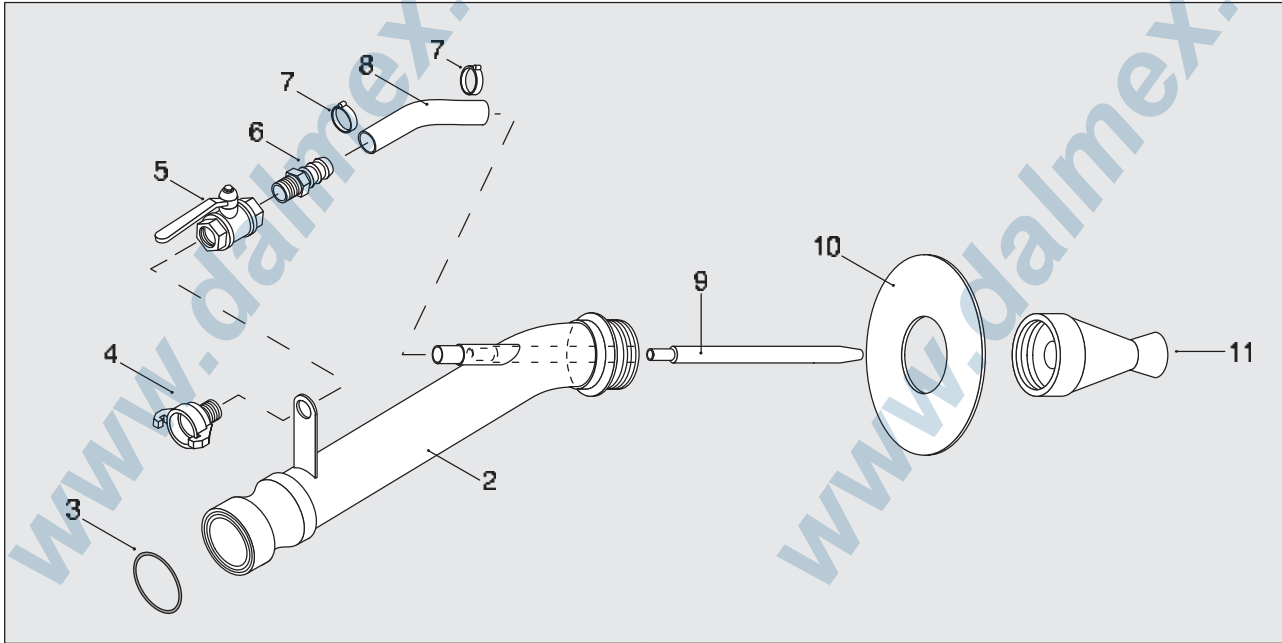




NP	N° REF	Q.TY	DESCRIPTION
<b>201.112 Accessory box for traditional mortars (+ code 212.961)</b>			
1	216.248	1	Complete gun $\varnothing$ 35 - traditional mortars
2	<b>212.961</b>	<b>1</b>	<b>30 m pipe equipment - (<math>\varnothing</math> 35 x 49 + <math>\varnothing</math> 13 x 19)</b>
3	212.150	1	Hose complete with couplings $\varnothing$ 13 x 19 (31 m)
4	212.482	1	Hose complete with couplings $\varnothing$ 35 x 49 (10 m)
5	212.805	1	Hose complete with couplings $\varnothing$ 35 x 49 (20 m) DN50 35
6	250.020	1	Spray for small hole $\varnothing$ 14
7	250.023	1	Spray for special hole $\varnothing$ 10
8	251.024	1	Nozzle $\varnothing$ 3.5 x 140
9	237.073	2	Gasket DN50
10	283.152	2	Renue snap coupling gasket
11	<b>216.195</b>	<b>1</b>	<b>Calibrating unit DN50</b>
12	286.201	1	Plug for calibrating unit DN50
13	281.110	1	Cast-iron nipple
14	212.054	1	Ball cock FF 3/4"
15	<b>216.453</b>	<b>1</b>	<b>Hose cleaning joint DN50</b>
16	281.149	1	Brass automatic coupling M 3/4"
17	281.581	1	Reducer MF 2" - 3/4"
18	286.185	1	Couplings DN50 F 2"
19	237.102	3	Cleaning sponge $\varnothing$ 50
20	281.147	1	Automatic coupling - brass
21	543.013	1	Sol. pin
22	287.043	1	Gun spring
23	220.051	1	Locking hook wrench
24	251.228	1	Double hook wrench for swivel
25	288.013	1	Screwdriver
26	288.033	1	Double ended spanner 17 - 19
27	288.031	2	Double ended spanner 21 - 27
28	288.036	1	Grease pump with head and hose
29	521.014	1	Goggles
30	521.001	1	Gemen-layer's rubber gloves
31	221.013	2	Canvas nose support
32	220.023	1	Rectangular tool box

TABLE 11A - accessory box code 201.112 – Gun and piping

I-13

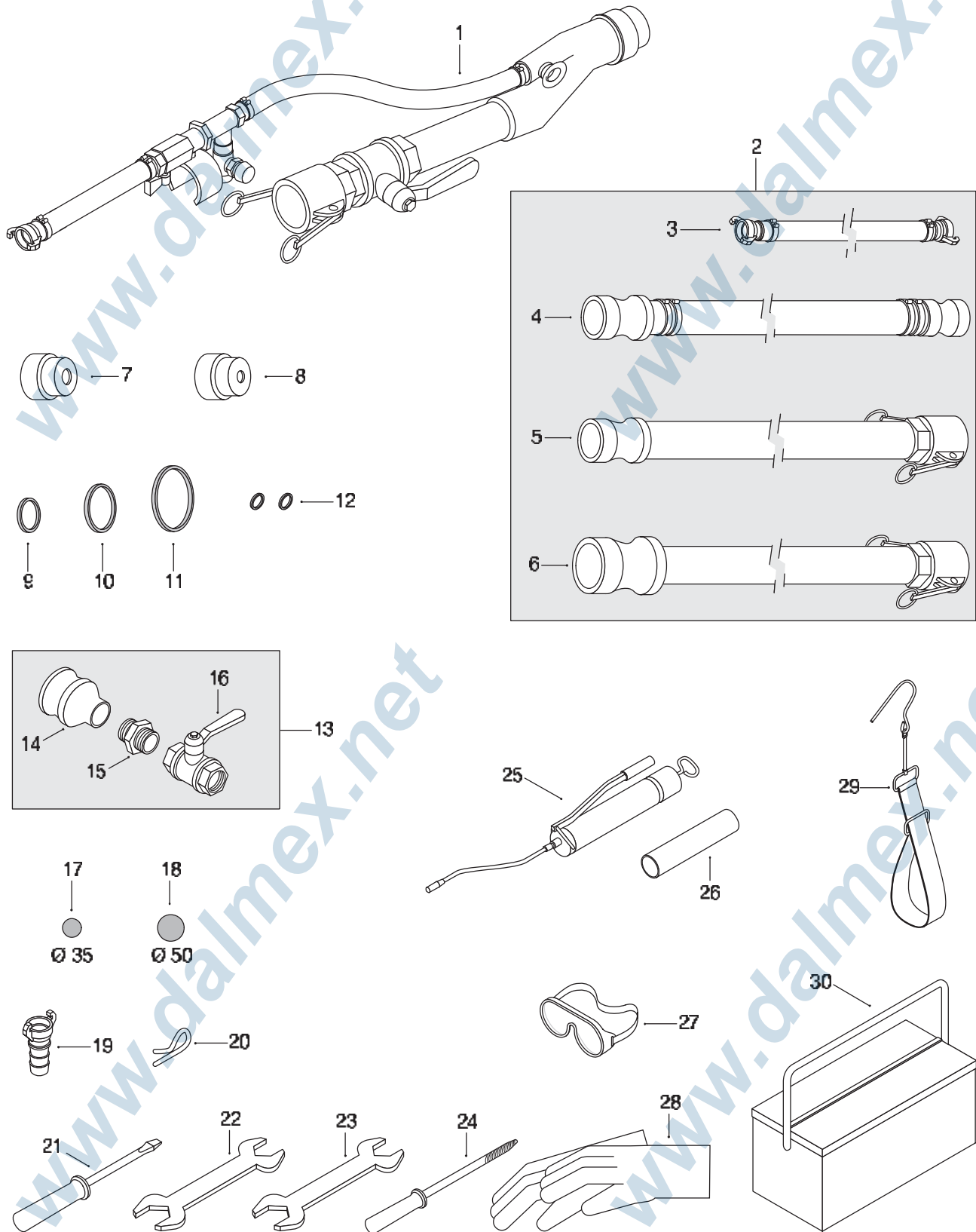




NP	N° REF	Q.TY	DESCRIPTION
<b>1</b>	<b>216.246</b>	<b>1</b>	<b>Complete gun for traditional mortars</b>
2	251.190	1	Gun body DN35
3	263.202	1	O ring
4	261.146	1	Brass quick connect fitting M 3/8"
5	212.199	1	Ball cock 3/8" FF
6	261.293	1	Hose end connection 3/8" x 10.7 galvanised
7	266.301	2	Winged pipe clip
8	640.006	1	Hose Ø 10 x 17 (0.22 m)
9	251.024	1	Gun nozzle (Ø 3.5 x 140)
10	224.000	1	Splash guard
11	250.021	1	Spray lid medium hole Ø 16
	<b>212.961</b>	<b>1</b>	<b>30 m pipe equipment - (Ø 35 x 49 + Ø 13 x 19)</b>
12	<b>212.150</b>	<b>1</b>	<b>Hose complete with couplings Ø 13 x 19 (31 m)</b>
13	281.147	2	Automatic coupling with hose-end fitting Ø 13 - brass
14	266.304	2	Winged pipe clips
15	640.015	m	Hose Ø 12 x 19 (31 metres)
16	<b>212.482</b>	<b>1</b>	<b>Hose complete with couplings Ø 35 x 49 (10 m)</b>
17	265.262	1	Coupling Γ DN35 1" 1/4
18	652.119	1	Hose complete with couplings Ø 35 x 49 DN35 (10 metres)
19	-----	4	Hose clamp
20	640.057	m	Hose Ø 35 x 49
21	251.179	1	Coupling M - DN35 - hose-end fitting Ø 34
22	<b>212.805</b>	<b>1</b>	<b>Hose complete with couplings Ø 35 x 49 (20 m) - DN50-35</b>
17	265.262	1	Coupling Γ DN35 1" 1/4
23	652.142	1	Hose complete with couplings Ø 35 x 49 DN50 35 (20 metres)
19	-----	4	Hose clamp
20	640.057	m	Hose Ø 35 x 49
24	251.181	1	Coupling M - DN50 - hose-end fitting DN35 Ø 34

TABLE 12 - accessory box code 201.067

I-14

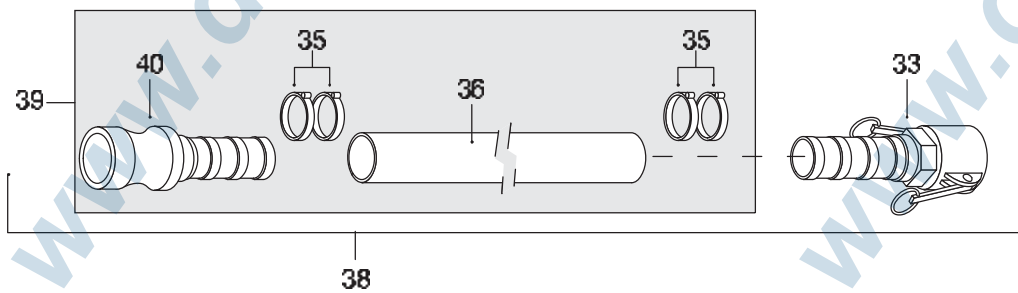
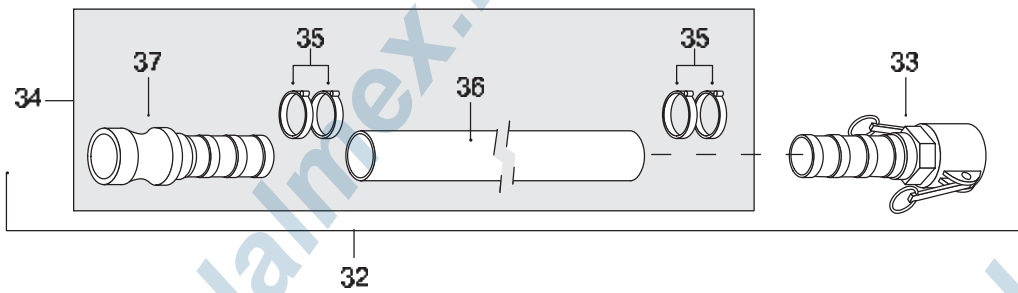
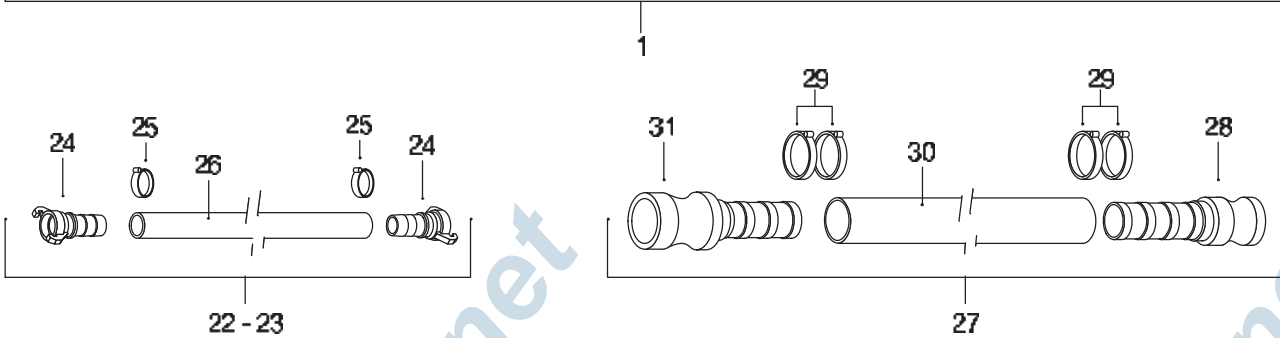
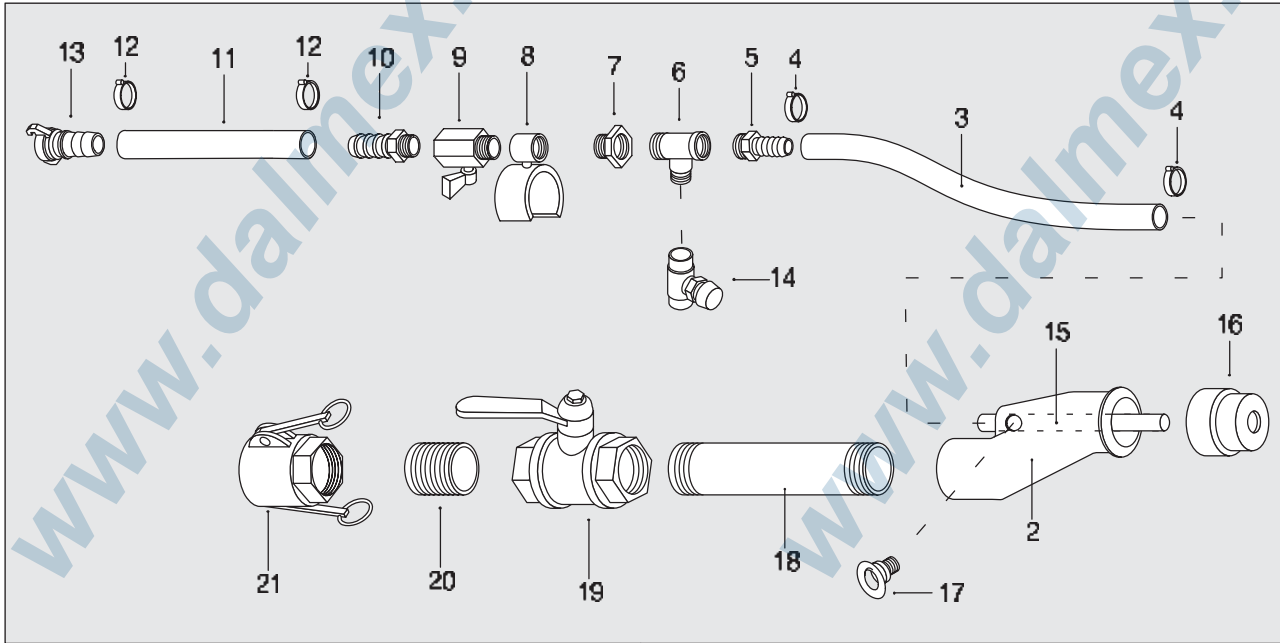




NP	N° REF	Q.TY	DESCRIPTION
<b>201.067 Accessory box for ready-mix plasters (+ code 212.485)</b>			
1	216.252	1	Complete gun Ø 25 - ready mixes
<b>2</b>	<b>212.485</b>	<b>1</b>	<b>35 m pipe equipment - (Ø 35 x 49 + Ø 25 x 37 and Ø 13 x 19)</b>
3	212.198	1	Hose complete with couplings Ø 13 x 19 (20 m)
	212.482	1	Hose complete with couplings Ø 13 x 19 (16 m)
4	212.484	1	Hose to gun complete with couplings Ø 25 x 37 (5 m)
5	212.482	1	Hose complete with couplings Ø 35 x 49 (10 m)
6	212.805	1	Hose complete with couplings Ø 35 x 49 (20 m) DN50 35
7	238.034	1	Spray tip Ø 16
8	238.032	1	Spray tip Ø 12
9	237.083	1	Gasket DN25
10	237.077	1	Gasket DN35
11	237.078	1	Gasket DN50
12	283.152	2	Per se snap coupling gasket
<b>13</b>	<b>216.195</b>	<b>1</b>	<b>Calibrating unit DN50</b>
14	286.201	1	Plug for calibrating unit DN50
15	281.110	1	Cast iron nipple 3/4"
16	212.054	1	Ball cock FF 3/4"
17	237.005	2	Cleaning sponge Ø 35
18	237.102	2	Cleaning sponge Ø 50
19	281.147	1	Automatic coupling - brass
20	543.013	1	Screw pin
21	288.013	1	Screwdriver
22	288.003	1	Double ended scanner 17 - 19
23	288.031	2	Double ended scanner 21 - 27
24	288.033	1	Nozzle cleaner
25	288.043	1	600 g grease pump with head
26	288.049	1	600 g grease cartridge
27	521.014	1	Goggles
28	521.001	1	General-layer's rubber gloves
29	221.013	2	Canvas hose support
30	220.023	1	Rectangular toolbox

TABLE 12A - accessory box code 201.067 - gun code 216.252

I-15

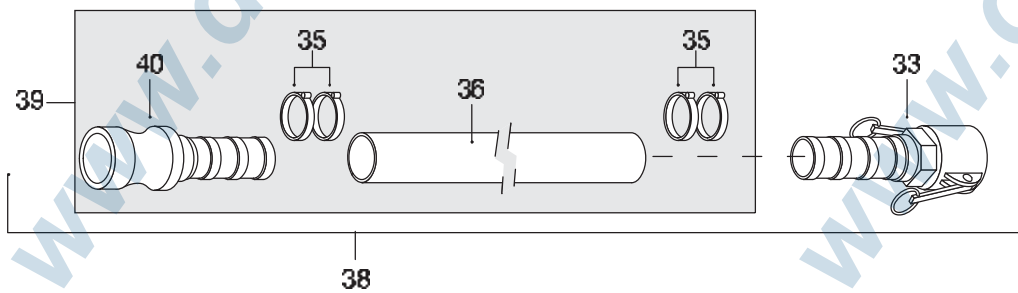
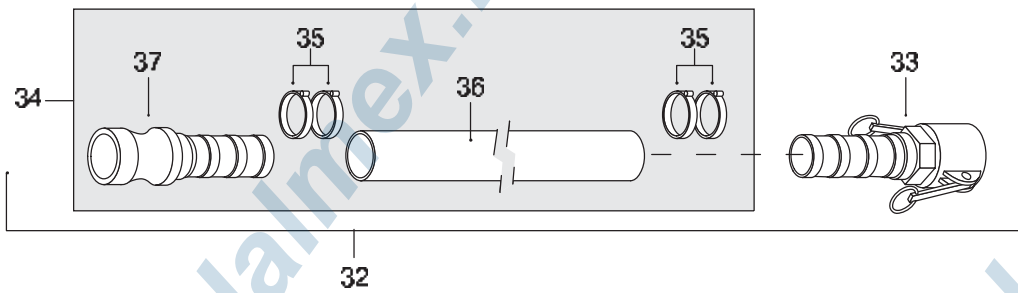
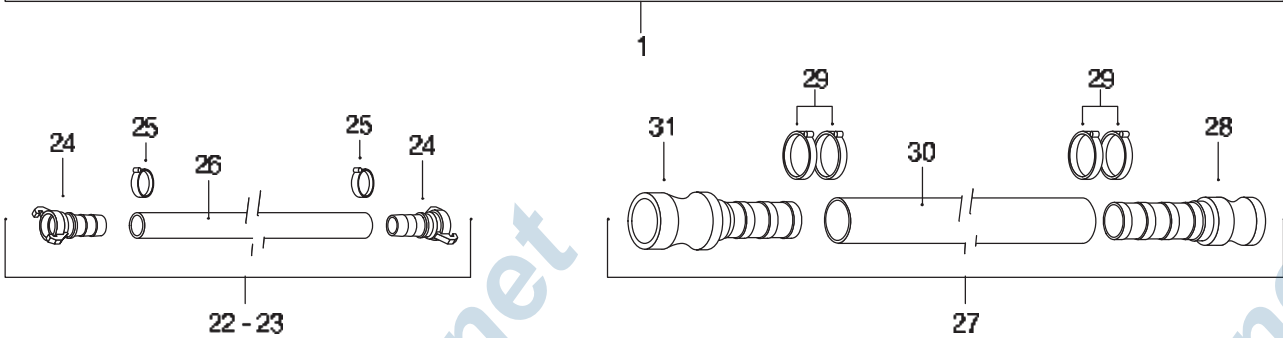
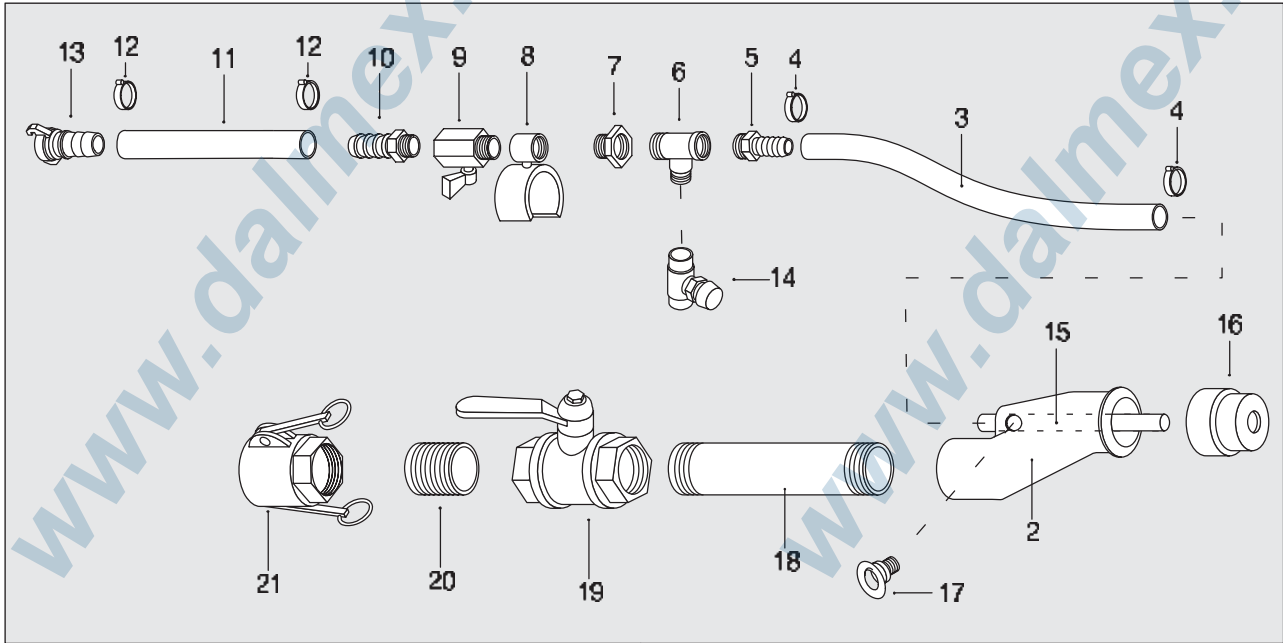




NP	N° REF	Q.TY	DESCRIPTION
<b>1</b>	<b>216.252</b>	<b>1</b>	<b>Gun for ready-mixed plasters with coupling Ø 25</b>
2	234.087	1	Gun incline head
3	640.006	1	Hose (0.33 m)
4	236.301	2	Winged pipe clip
5	261.163	1	Hose-end fitting
6	261.240	1	Union tee 1/4" MF
7	261.490	1	Hydraulic reducer 3/8" - 1/4" MF
8	251.163	1	Valve trainer 3/8" for Ø 25
9	212.511	1	Manual valve MF 3/8"
10	28" 145	1	Hose-end fitting
11	640.015	1	Hose (0.25 m)
12	235.307	2	Winged pipe clip
13	28" 147	1	Automatic coupling with hose-end fitting Ø 13 - brass
14	212.160	1	Needle valve F 1/4"
15	251.063	1	Gun nozzle Ø 6
16	239.033	1	Spray tip Ø 14
17	235.075	1	Male eyebolt - galvanised
18	245.105	1	Gun pipe 1"
19	212.273	1	Ball cock 1" FF
20	261.124	1	Screw connector 1"
21	266.206	1	Coupling 1" F Ø 25

TABLE 12B - accessory box code 201.067 - piping code 212.485

I-15



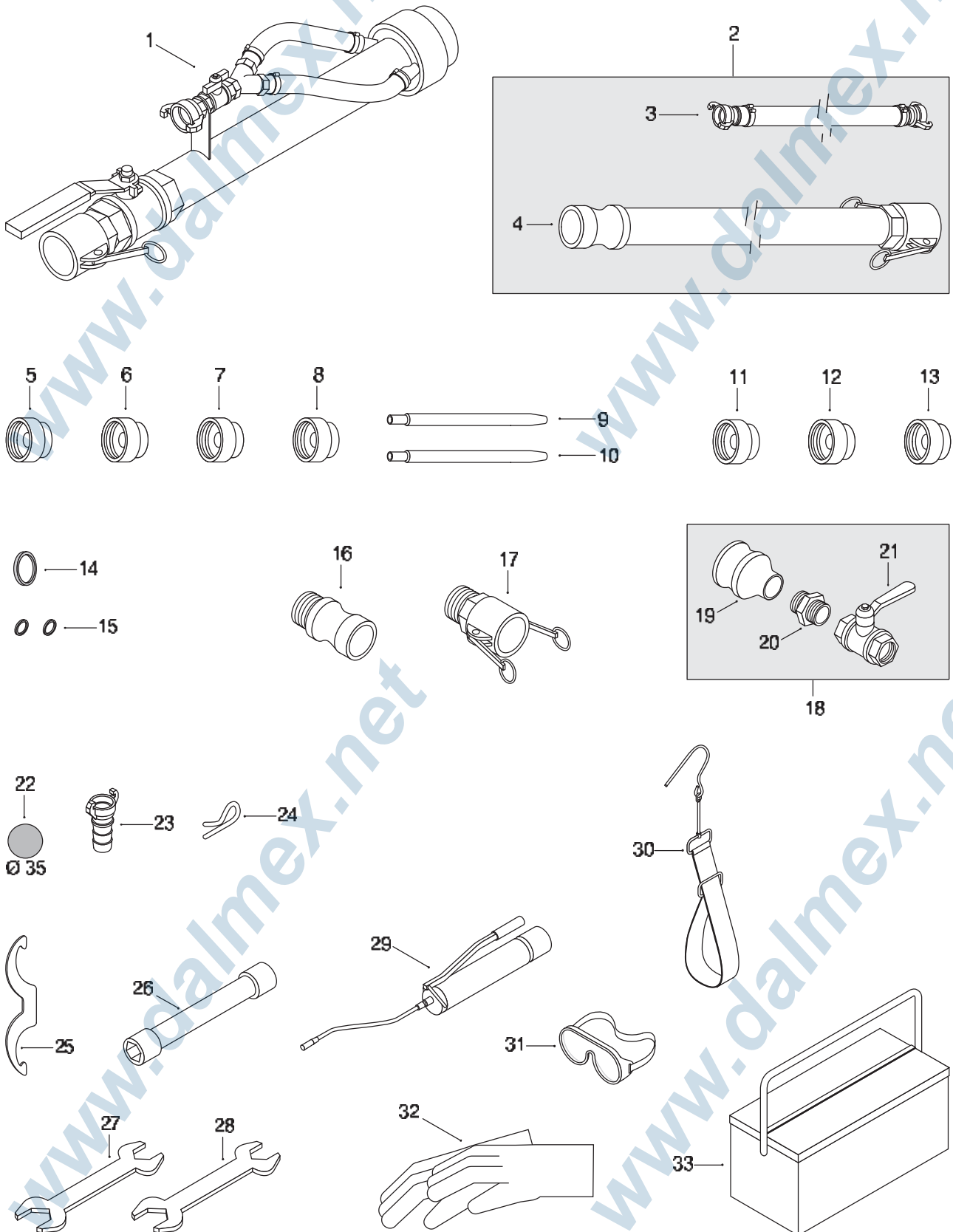




NP	N° REF	Q.TY	DESCRIPTION
	<b>212.485</b>	<b>1</b>	<b>35 m pipe equipment - (Ø 35 x 49 + Ø 25 x 37 and Ø 13 x 19)</b>
<b>22</b>	<b>212.198</b>	<b>1</b>	<b>Hose complete with couplings Ø 13 x 19 (20 m)</b>
24	281.147	2	Automatic coupling for nose-end fitting Ø 13 - brass
25	288.304	2	Winged pipe clip
26	640.015	m	Hose Ø 12 x 19 (20 metres)
<b>23</b>	<b>212.482</b>	<b>1</b>	<b>Hose complete with couplings Ø 13 x 19 (16 m)</b>
24	281.147	2	Automatic coupling for nose-end fitting Ø 13 - brass
25	288.304	2	Winged pipe clip
26	640.015	m	Hose Ø 12 x 19 (16 metres)
<b>27</b>	<b>212.484</b>	<b>1</b>	<b>Hose to gun complete with couplings Ø 25 x 37 (5 m)</b>
28	235.207	1	Coupling M - DN25 - nose-end fitting Ø 24
29	-----	4	Hose clamp
30	640.056	m	Hose Ø 25 x 37 - 40 bar (5 metres)
31	288.193	1	Coupling M - DN35 - nose-end fitting Ø 24
<b>32</b>	<b>212.482</b>	<b>1</b>	<b>Hose complete with couplings Ø 35 x 49 (10 m)</b>
33	235.262	1	Coupling Γ DN35 1" 1/4
34	652.119	1	Hose complete with couplings Ø 35 x 49 - DN35 (10 metres)
35	-----	4	Hose clamp
36	640.057	m	Hose Ø 35 x 49 (10 metres)
37	251.179	1	Coupling M - DN35 - nose-end fitting Ø 34
<b>38</b>	<b>212.805</b>	<b>1</b>	<b>Hose complete with couplings Ø 35 x 49 (20 m) - DN 50 - 35</b>
33	235.262	1	Coupling Γ DN35 1" 1/4
39	652.142	1	Hose complete with couplings Ø 35 x 49 - DN50 35 (20 metres)
35	-----	4	Hose clamp
36	640.057	m	Hose Ø 35 x 49 (20 metres)
40	251.181	1	Coupling M - DN50 - nose-end fitting DN35 Ø 34

TABLE 13 - accessory box code 201.071

I-16

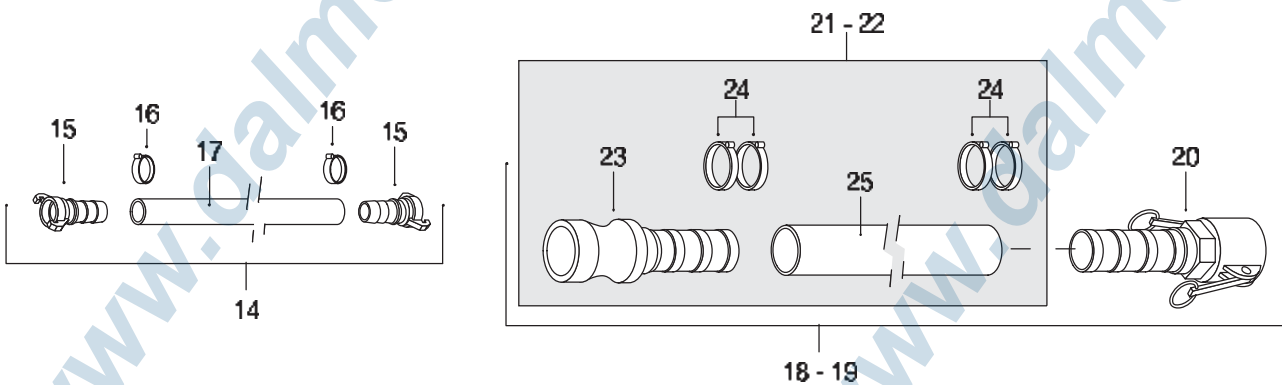
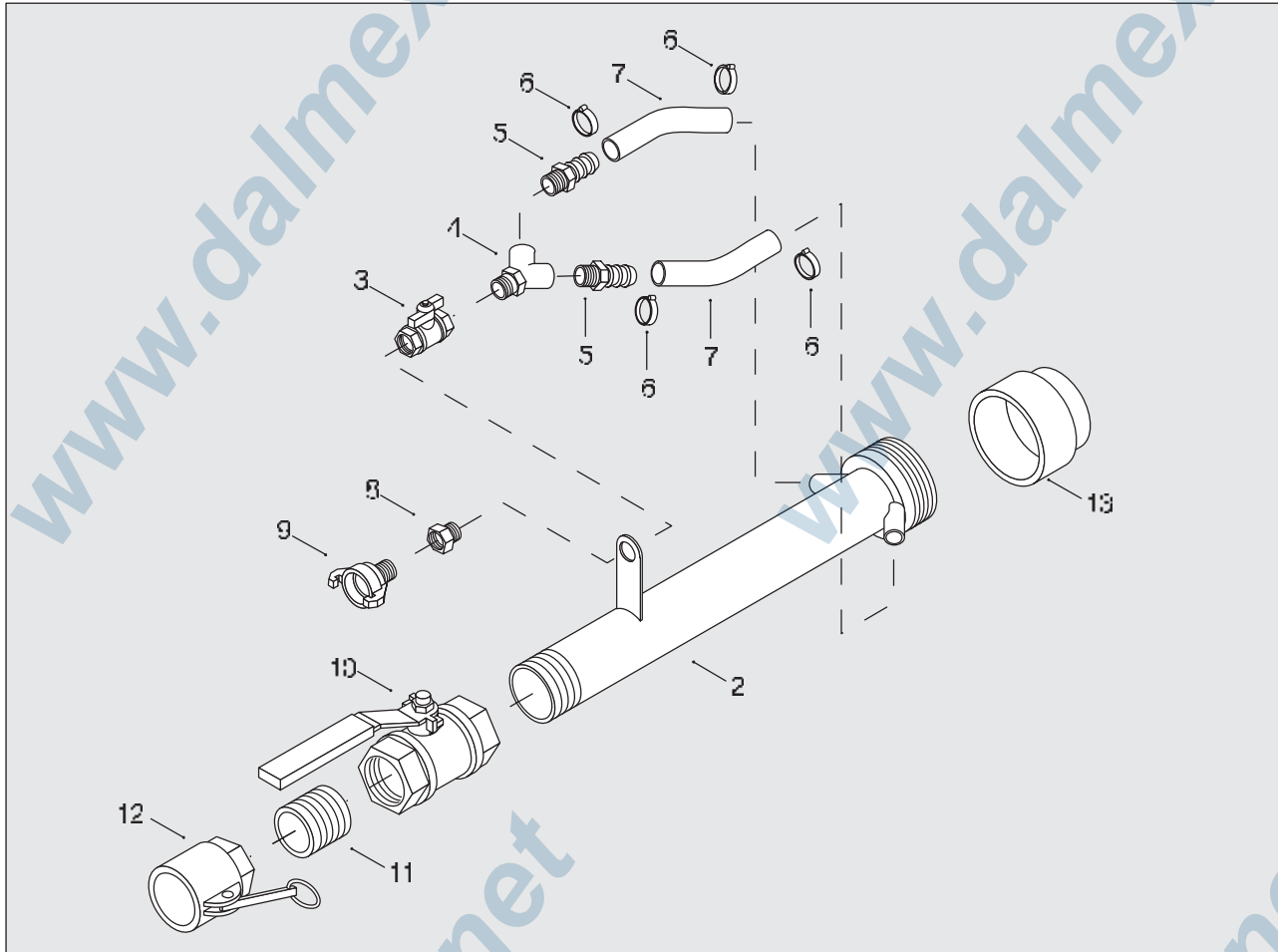




NP	N° REF	Q.TY	DESCRIPTION
<b>201.071 Accessory box for skin coats (+ code 212.476)</b>			
1	216.268	1	Complete unit Ø 25 - skin coats
<b>2</b>	<b>212.476</b>	<b>1</b>	<b>15 m pipe equipment - (Ø 25 x 37 and Ø 13 x 19)</b>
3	212.462	1	Hose complete with couplings Ø 13 x 19 (16 m)
4	212.471	1	Hose complete with couplings Ø 25 x 37 (5 m)
	212.475	1	Hose complete with couplings Ø 25 x 37 (10 m)
5	238.020	1	Spray tip Ø 4
6	238.005	1	Spray tip Ø 5
7	238.006	1	Spray tip Ø 6
8	238.031	1	Spray tip Ø 8.5 per nozzles
9	250.043	1	Nozzle tube Ø 13.5
10	250.044	1	Nozzle tube Ø 15
11	251.085	1	Nozzle Ø 5
12	251.088	1	Nozzle Ø 6
13	251.087	1	Nozzle Ø 7
14	237.083	2	Gasket DN25
15	233.152	2	Renue snap coupling gasket
16	251.187	1	Coupling M 1" DN25
17	251.242	1	Coupling F 1" DN50
<b>18</b>	<b>216.195</b>	<b>1</b>	<b>Calibrating unit DN50</b>
19	236.201	1	Plug for calibrating unit DN50
20	281.110	1	Cast iron nipple 3/4"
21	212.054	1	Ball cock FF 3/4"
22	237.005	2	Cleaning sponge Ø 35
23	231.147	1	Automatic coupling - brass
24	543.013	1	Sol. pin
25	251.228	1	Double hook wrench for swivel
26	268.016	1	Socket spanner 30 - 32
27	268.009	1	Double ended spanner 19 - 22
28	268.035	1	Double ended spanner 22 - 24
29	268.036	1	600 g grease pump with head and tube
30	221.013	2	Carvas hose support
31	521.014	1	Goggles
32	521.001	1	General-layer's rubber gloves
33	220.023	1	Rectangular toolbox

TABLE 13A - accessory box code 201.112 – Gun and piping

I-17

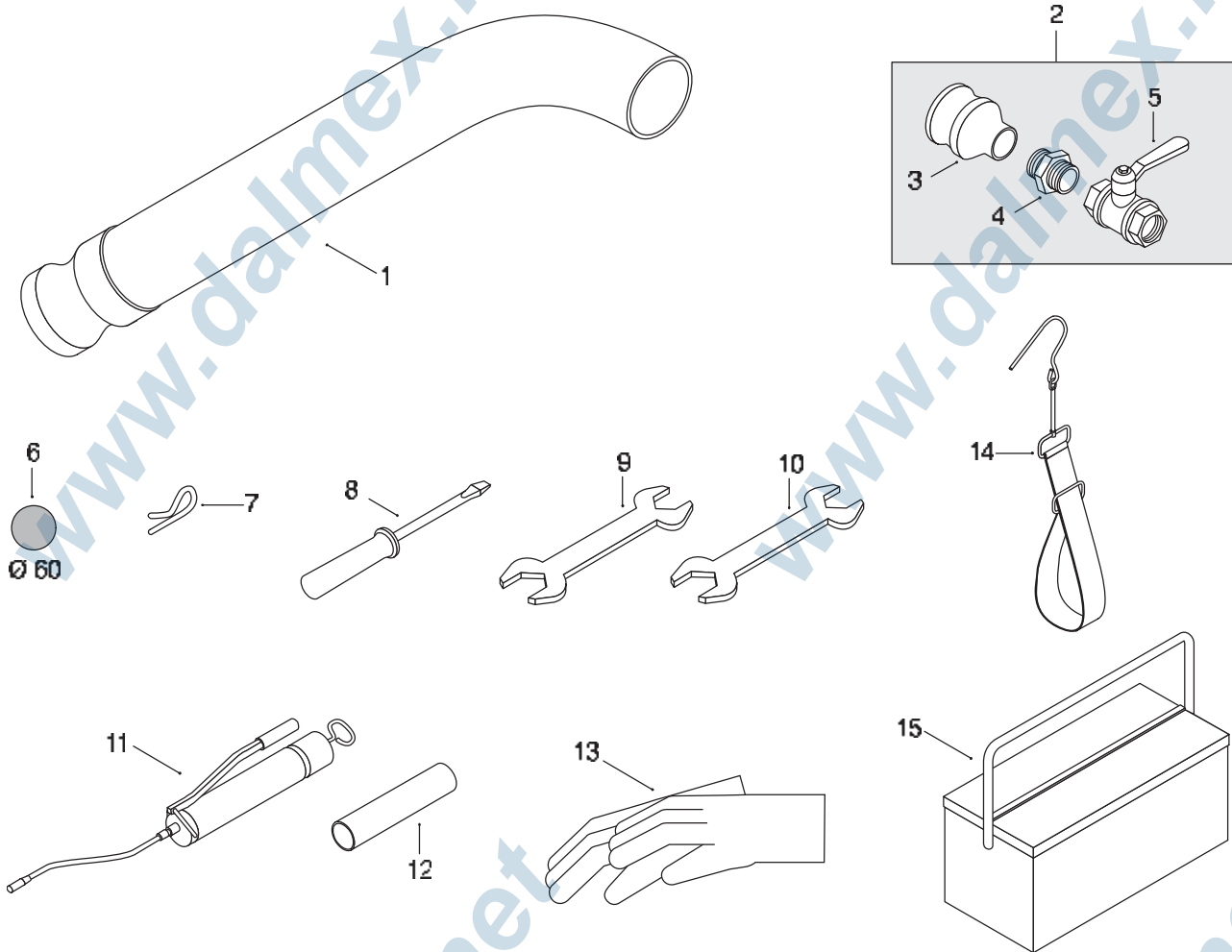




NP	N° REF	Q.TY	DESCRIPTION
<b>1</b>	<b>216.266</b>	<b>1</b>	<b>Gun for skim coats, plastic and waterproofers with coupling Ø 25</b>
2	251.064	1	Gun body w/ho. fitting
3	212.040	1	Ball cock 1/4" FF
4	281.472	1	Wye FMF brass 1/4"
5	261.163	2	Hose end fitting 1/4" x 10,7
6	266.300	4	Winged pipe clip
7	640.073	m	Hose Ø 8 x 15 (0,35 m)
8	261.154	1	Brass reducer MF 1/4" - 3/8"
9	261.146	1	Automatic coupling brass male 3/8"
10	212.113	1	Ball cock 1" - FF - reinforced
11	261.124	1	Smooth cast-iron screw 1"
12	266.436	1	Coupling DN25 - F - 1" in plastic
13	239.020	1	Spray tip Ø 4
	<b>212.476</b>	<b>1</b>	<b>15 m pipe equipment - (Ø 25 x 37 and Ø 13 x 19)</b>
<b>14</b>	<b>212.462</b>	<b>1</b>	<b>Hose complete with couplings Ø 13 x 19 (16 m)</b>
15	281.147	2	Automatic coupling for hose-end fitting Ø 13 - brass
16	266.304	2	Winged pipe clip
17	640.015	m	Hose Ø 12 x 19 (16 metres)
<b>18</b>	<b>212.474</b>	<b>1</b>	<b>Hose complete with couplings Ø 25 x 37 (5 m)</b>
20	266.206	2	Coupling F 1" - DN25
21	652.116	1	Hose complete with coupling M Ø 25 x 37 (5 m)
23	235.207	1	Coupling M - DN25 - hose-end fitting Ø 24
24	-----	4	Hose clamp
25	640.056	m	Hose Ø 25 x 37 / 40 bar (5 metres)
<b>19</b>	<b>212.475</b>	<b>1</b>	<b>Hose to gun complete with couplings Ø 25 x 37 (10 m)</b>
20	266.206	2	Coupling F 1" - DN25
22	652.117	1	Hose complete with coupling M Ø 25 x 37 (10 m)
23	235.207	1	Coupling M - DN25 - hose-end fitting Ø 24
24	-----	4	Hose clamp
25	640.056	m	Hose Ø 25 x 37 / 40 bar (5 metres)

TABLE 14 -accessory box code 201,114

I-18





NP	N° REF	Q.TY	DESCRIPTION
<b>201.114 Accessory box for self-levelling screeds</b>			
1	251.193	1	Nozze DN50 for grout
<b>2</b>	<b>216.195</b>	<b>1</b>	<b>Calibrating unit DN50</b>
3	286.201	1	Plug for calibrating unit DN50
4	281.110	1	Cast iron nipple 3/4"
5	212.054	1	Ball cock FF 3/4"
6	237.017	3	Cleaning sponge Ø 60
7	543.013	1	Sol. pin
8	288.013	1	Screwdriver
9	288.003	1	Double ended scarper 17 - 19
10	288.035	1	Double ended scarper 22 - 24
11	288.043	1	600 g grease pump with head
12	288.049	1	600 g grease cartridge
13	521.001	1	Cement-layer's rubber gloves
14	221.013	2	Canvas nose support
15	220.023	1	Rectangular toolbox





[www.dalmex.net](http://www.dalmex.net)

[www.dalmex.net](http://www.dalmex.net)

[www.dalmex.net](http://www.dalmex.net)

[www.dalmex.net](http://www.dalmex.net)





[www.dalmex.net](http://www.dalmex.net)

[www.dalmex.net](http://www.dalmex.net)

**CATALOGO GENERALE PEZZI RICAMBIO**

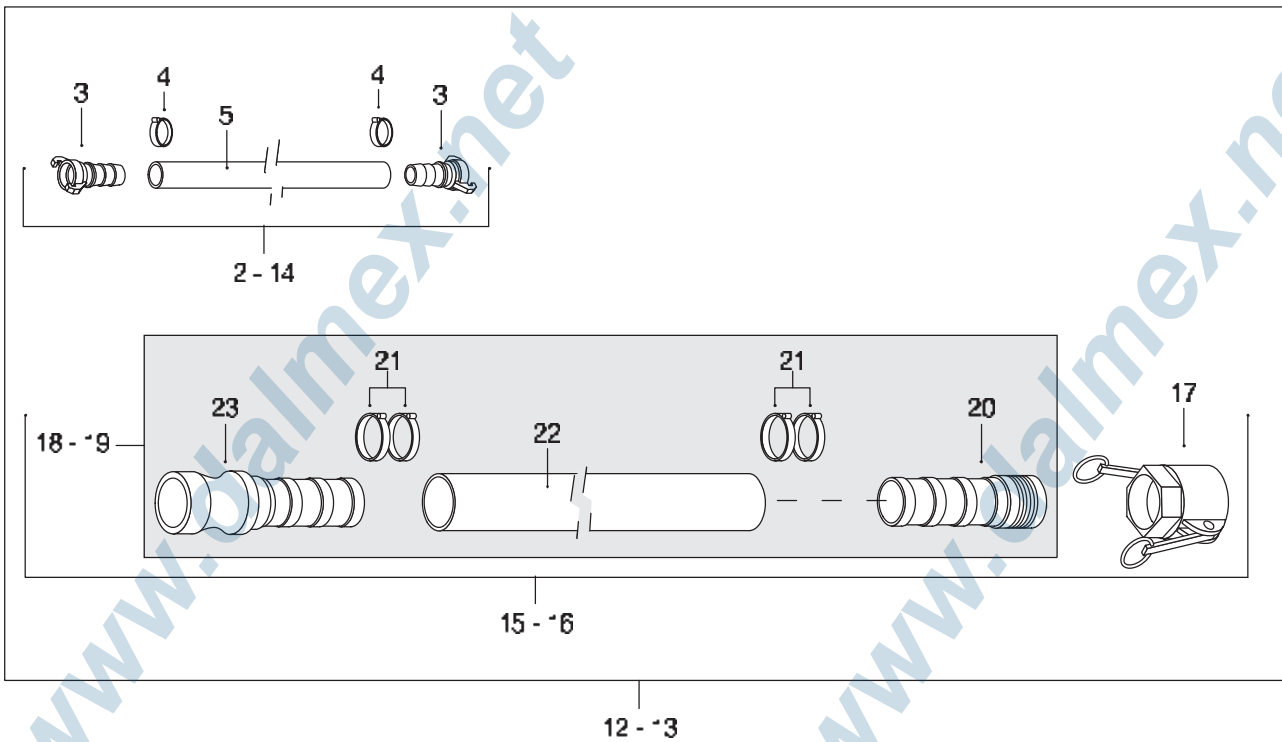
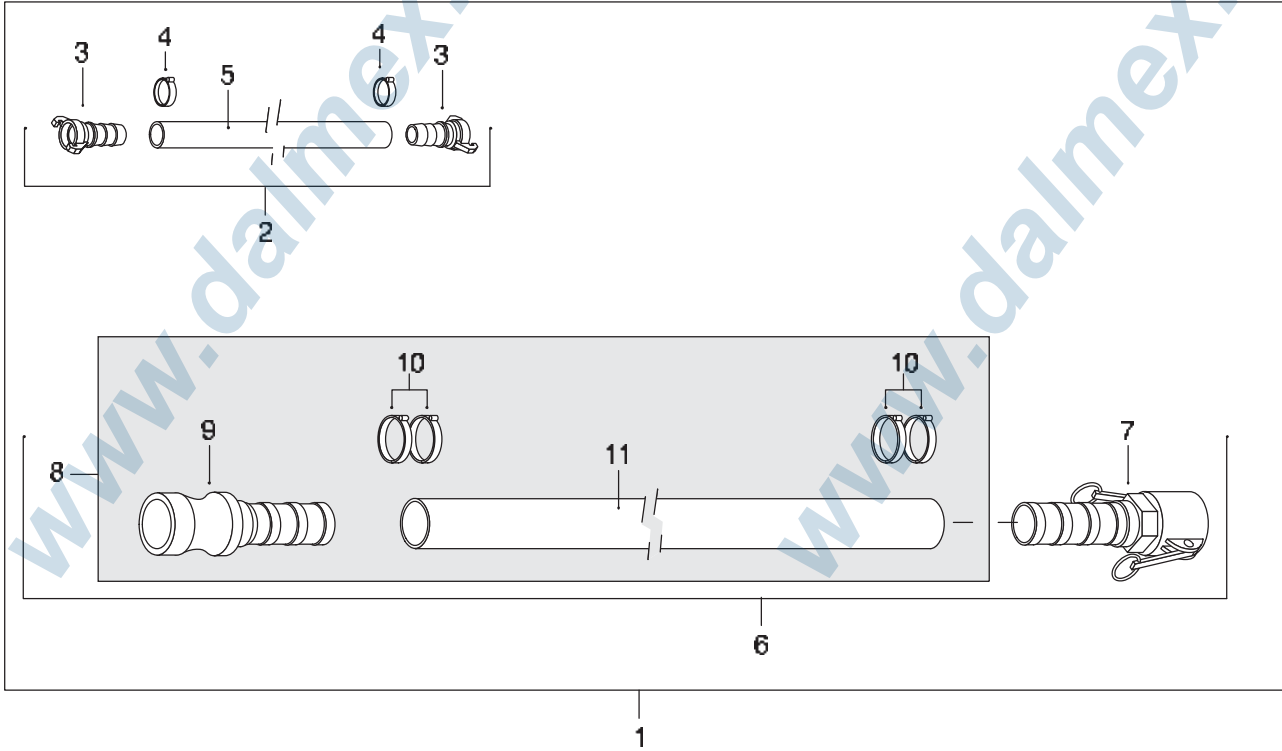


[www.dalmex.net](http://www.dalmex.net)

[www.dalmex.net](http://www.dalmex.net)

TABLE 15 - extensions

I-19



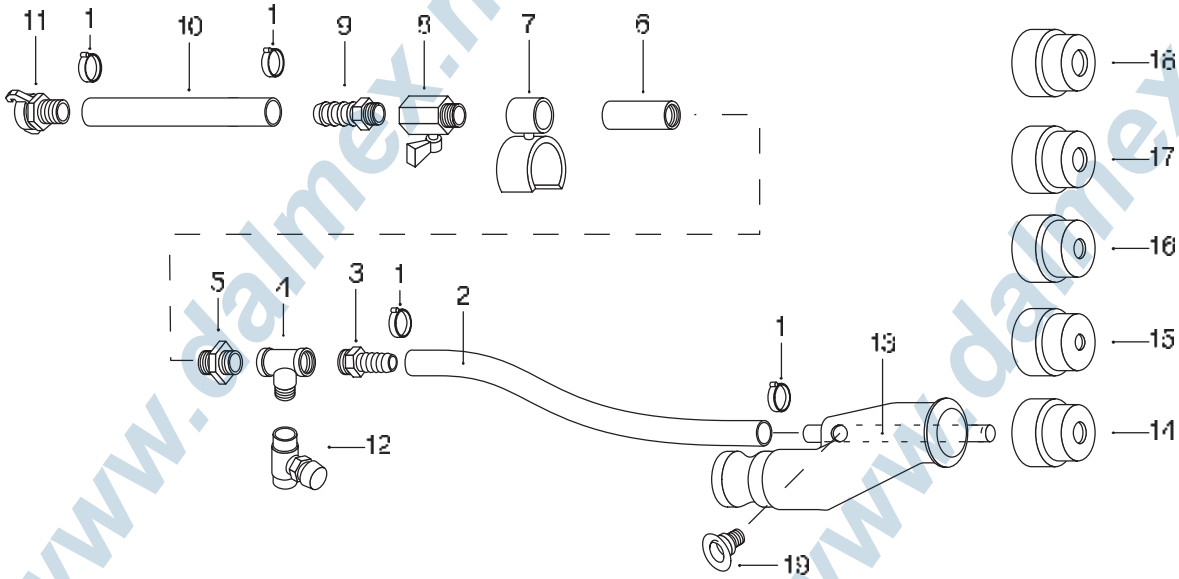


NP	N° REF	Q.TY	DESCRIPTION
<b>1</b>	<b>212.488</b>	<b>1</b>	<b>Extension 10 metres (Ø 25 x 37 and Ø 13 x 19)</b>
2	212.149	1	Hose complete with couplings Ø 13 x 19 (10 metres)
3	281.147	2	Brass automatic coupling
4	288.304	2	Winged pipe clip
5	640.015	m	Hose Ø 12 x 19
<b>6</b>	<b>212.475</b>	<b>1</b>	<b>Hose complete with couplings Ø 25 x 37 (10 metres)</b>
7	286.206	1	Coupling DN25 - F 1"
8	652.117	1	Hose complete with coupling - Ø 25 x 37
9	286.207	1	Coupling DN25 M - hose-end fitting Ø 24
10	-----	4	Hose clamp
11	640.056	m	Hose Ø 25 x 37 / 40 bar (10 metres)
<b>12</b>	<b>212.480</b>	<b>1</b>	<b>Extension 10 metres (Ø 50 x 66 and Ø 13 x 19)</b>
2	212.149	1	Hose complete with couplings Ø 13 x 19 (10 metres)
3	281.147	2	Brass automatic coupling
4	288.304	2	Winged pipe clip
5	640.015	m	Hose Ø 12 x 19
<b>15</b>	<b>212.466</b>	<b>1</b>	<b>Hose complete with couplings Ø 50 x 66 (10 metres)</b>
17	286.165	1	Coupling DN50 F 2"
18	652.121	1	Hose complete with hose end fittings (10 metres)
20	251.160	1	Coupling 2" DN50 - hose-end fitting Ø / 7
21	-----	4	Hose clamp
22	286.205	1	Coupling DN50 M - hose-end fitting Ø / 7
23	640.006	m	Hose Ø 50 x 66 (10 metres)
<b>13</b>	<b>212.481</b>	<b>1</b>	<b>Extension 20 metres (Ø 50 x 66 and Ø 13 x 19)</b>
<b>14</b>	<b>212.196</b>	<b>1</b>	<b>Hose complete with couplings Ø 13 x 19 (20 metres)</b>
3	281.147	2	Automatic coupling brass
4	288.304	2	Winged pipe clip
5	640.015	m	Hose Ø 12 x 19
<b>16</b>	<b>212.477</b>	<b>1</b>	<b>Hose complete with couplings Ø 50 x 66 (20 metres)</b>
17	286.165	1	Coupling DN50 F 2"
19	652.122	1	Hose complete with hose end fittings (20 metres)
20	251.160	1	Coupling 2" DN50 - hose-end fitting Ø / 7
21	-----	4	Hose clamp
22	286.205	1	Coupling DN50 M - hose-end fitting Ø / 7
23	640.006	m	Hose Ø 50 x 66 (20 metres)

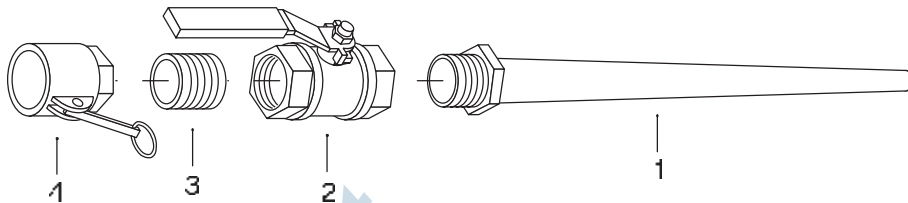
TABLE 16 - guns

I-20

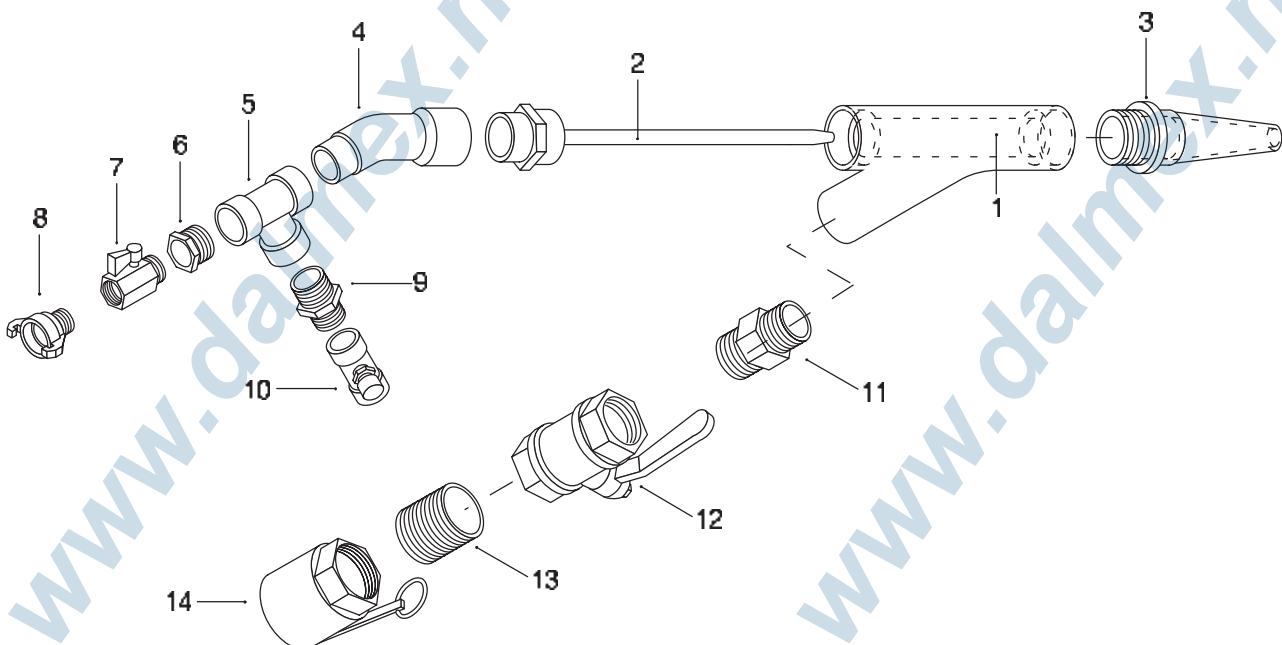
Gun for thick ready-mix plasters with coupling  $\varnothing$  35 - code 216.251



Gun for filling gaps with coupling  $\varnothing$  25 - code 216.258



Gun for pressure pointing joints and gaps with coupling  $\varnothing$  25 - code 216.496



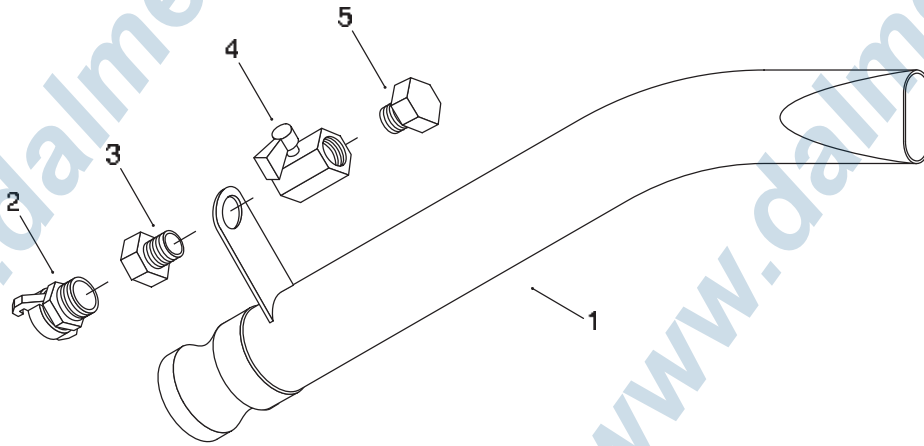


NP	N° REF	Q.TY	DESCRIPTION
<b>216.251 – Gun for thick ready-mix plasters with coupling Ø 35</b>			
1	235.007	4	Hose clamp
2	640.006	1	Hose (0.33 m)
3	261.163	1	Hose-end fitting
4	261.240	1	Union tee FFM 1/4"
5	261.430	1	Hydraulic reducer MF 3/8" - 1/4"
6	251.163	1	Valve hole for Ø 35 - 3/8"
7	212.511	1	Manual valve MF 3/8"
8	261.145	1	Hose end fitting 3/8"
9	640.015	1	Hose (0.25 m)
10	261.147	1	Automatic coupling brass
11	212.260	1	Needle valve F
12	251.063	1	Gun nozzle
13	233.033	1	Spray tip Ø 14 (mounted on gun)
14	263.376	1	Spray tip Ø 8
15	263.377	1	Spray tip Ø 10
16	263.037	1	Spray tip Ø 12
17	263.034	1	Spray tip Ø 16
18	235.075	1	Male eyebol. - galvanised
<b>216.258 – Gun for filling gaps with coupling Ø 25</b>			
1	229.026	1	Conical nozzle for gaps
2	212.113	1	Ball cock 1" - FF - air forced
3	261.124	1	Simple gas-tight screw 1"
4	266.436	1	Coupling DN25 - F - 1" in plastic
<b>216.496 – Gun for pressure pointing joints and gaps with air flow (complete)</b>			
1	231.153	1	Gun body
2	223.309	1	Nozzle
3	250.160	1	Conical spray tip Ø 12
4	261.517	1	45° bend MF 1/2" gas
5	261.094	1	Brass union tee FFF 1/2"
6	261.043	1	Steel reducer 1/2"-3/8"
7	212.511	1	Manual valve MF 3/8"
8	261.146	1	Automatic coupling brass male 3/8"
9	261.063	1	Brass nipple 1/2" - 1/4"
10	212.160	1	Needle valve F 1/4"
11	251.263	1	Gun fitting Ø 30 - 1"
12	212.273	1	Ball cock 1" FF
13	261.124	1	Simple gas-tight screw 1"
14	266.436	1	Coupling F 1" DN25 in plastic

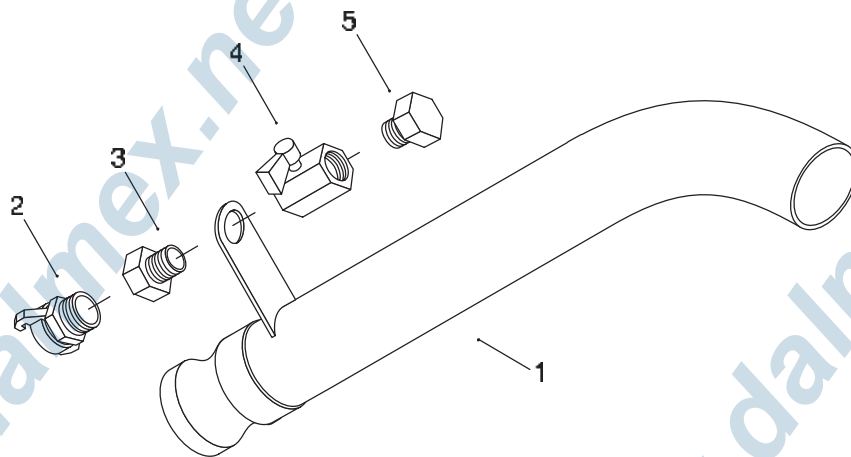
TABLE 17 - Flow nozzles

I-21

Flow nozzle for pipe  $\varnothing$  35 - code 216.216



Flow nozzle for pipe  $\varnothing$  25 - code 216.255





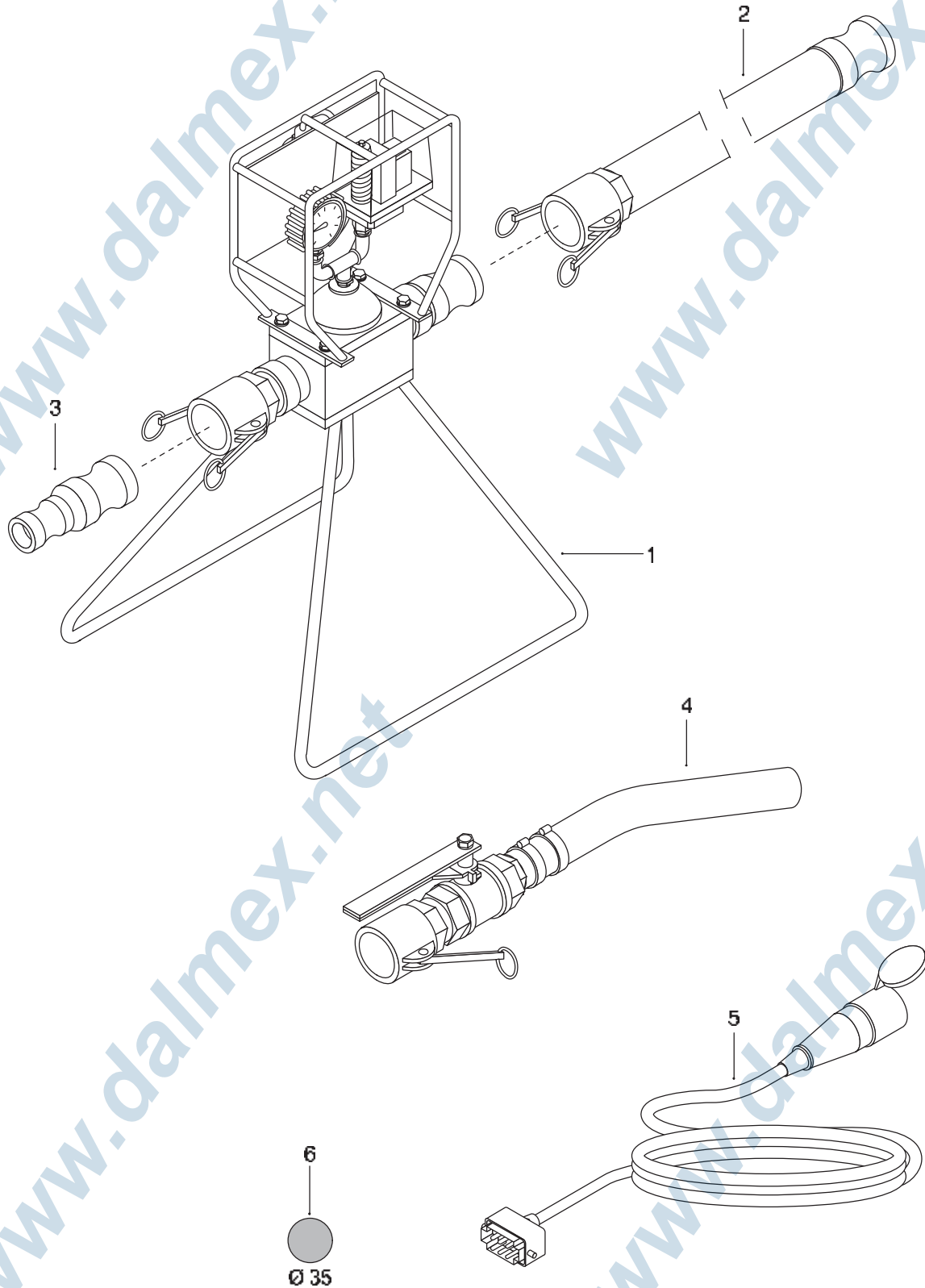
NP	N° REF	Q.TY	DESCRIPTION
<b>216.216 flow nozzle - pipe Ø 35</b>			
1	251.199	1	Flow nozzle M DN35
2	261.146	1	Automatic coupling brass male 3/8"
3	261.154	1	Extension MF 3/8"
4	212.040	1	Ball cock FF - 3/8"
5	28* 125	1	Hydraulic plug 3/8" gas

<b>216.255 Spout - pipe Ø 25</b>			
1	25* 232	1	Spout DN25
2	261.146	1	Automatic coupling brass male 3/8"
3	261.154	1	Brass reducer MF 1/4"- 3/8"
4	212.040	1	Ball cock FF - 1/4"
5	28* 125	1	Hydraulic plug 1/4" gas brass



TABLE 18 - injection devices

I-22





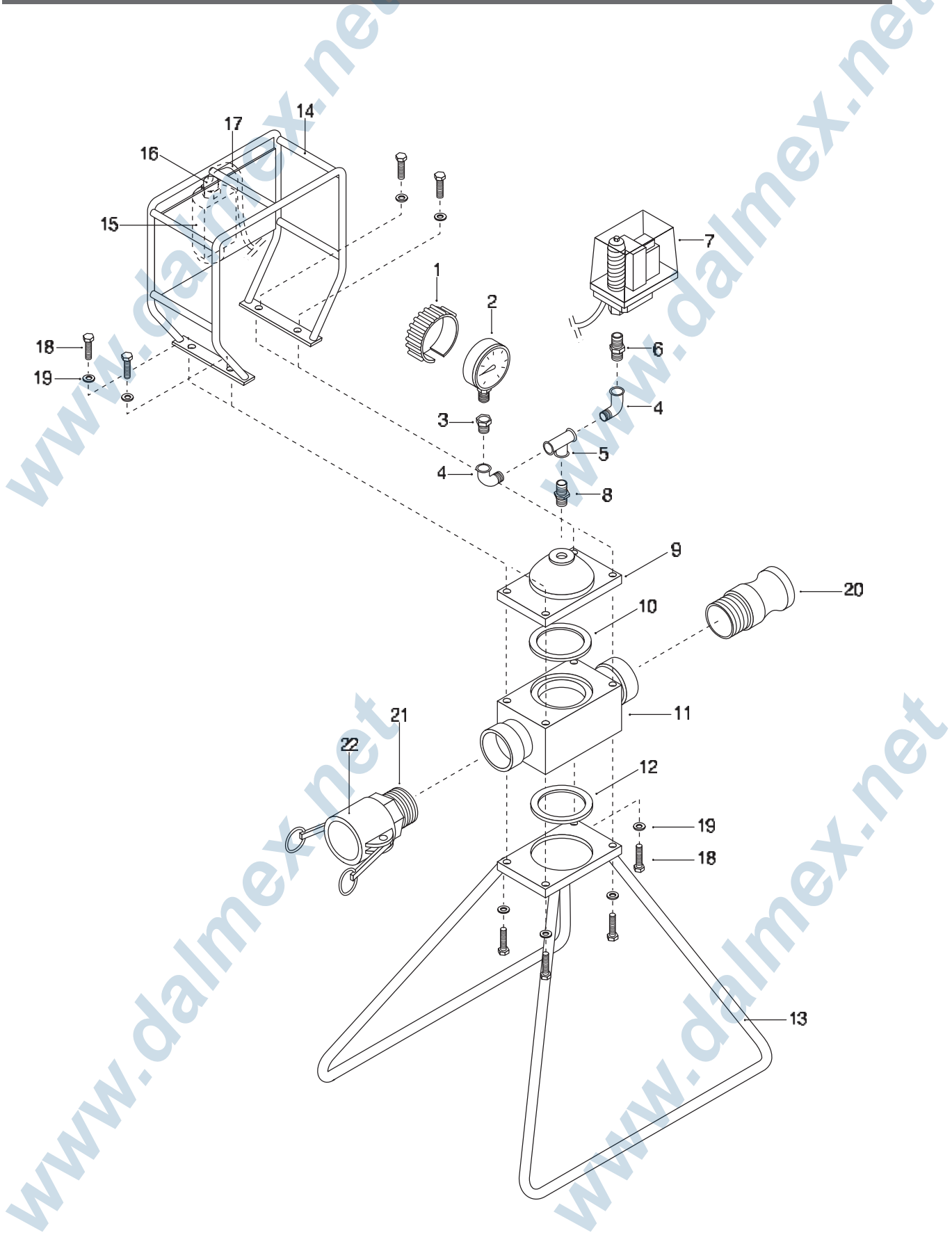


NP	N° REF	Q.TY	DESCRIPTION
	<b>216.395</b>	<b>1</b>	<b>Injection device</b>
1	216.277	1	Pressure relief device Ln DN35
2	212.171	1	Hose (Ø 25 x 3/5 metres) complete with couplings
3	266.406	1	Reducer M35-M25
4	216.299	1	Injection gun DN35
5	211.261	1	Cable for injection device - 23 metres
6	237.005	2	Cleaning sponge Ø 35



TABLE 18A - Pressure relief device unit code 216.277

I-23



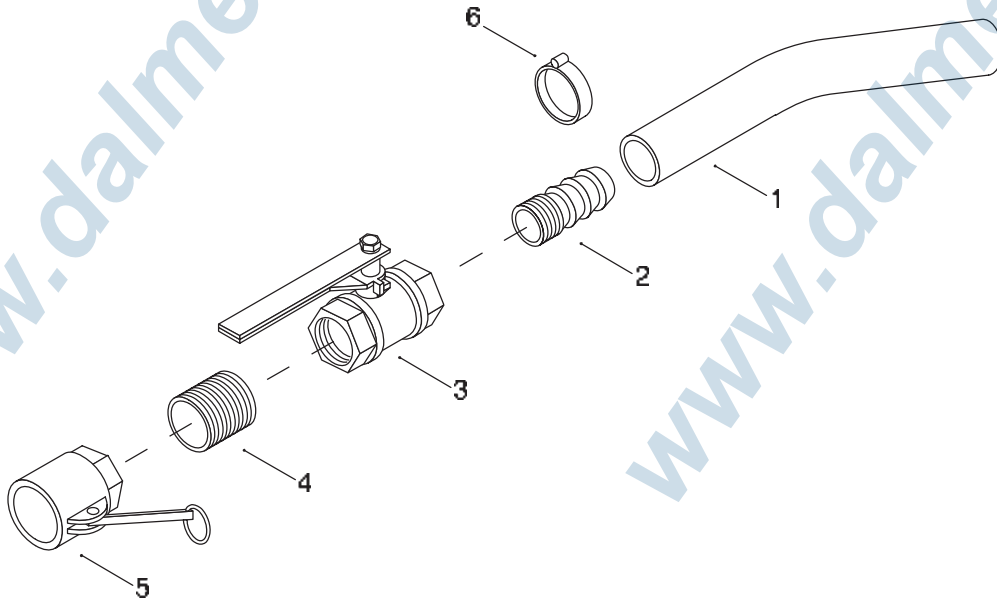


NP	N° REF	Q.TY	DESCRIPTION
1	263.153	1	Pressure gauge cover Ø 60 - radial
2	212.157	1	Pressure gauge Ø 63
3	261.056	1	Brass nipple 3/8" - 1/4"
4	28" C52	2	Cast-iron elbow MF 3/8"
5	28" C45	1	Cast-iron union top 3/8"
6	28" C55	1	Cast iron nipple 3/8"
7	214.C41	1	Pressure switch
8	261.068	1	Brass nipple 3/8" - 1/4"
9	234.060	1	Pressure gauge holder cover
10	239.024	1	Pressure relief diaphragm
11	231.144	1	Pressure relief device body
12	263.133	1	O ring
13	225.649	1	Injection device supporting foot
14	225.613	1	Pressure switch guard
15	552.C37	1	Plug 16A - 2/V
16	554.023	1	Cable grip PG 21
17	550.060	0.5 m	Necprene flex 2 x 2.5
18	540.034	8	Hexagon-head screw 8.8 M10 x 30
19	544.C17	8	Spring washer Ø 10 - reinforced galvanised
20	25" 137	1	Coupling M 1" DN25
21	261.124	1	Galvanised cast-iron screw connector 1"
22	266.206	1	Coupling F 1" DN25

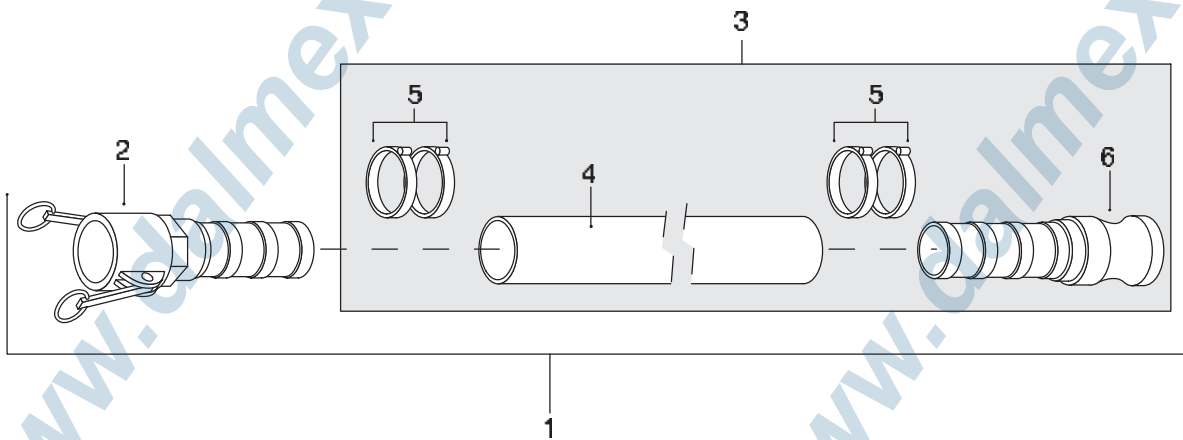
TABLE 18B - gun - hose

I-24

Injection gun  $\varnothing$  25 without air flow - code 216.299



hose - code 212.474



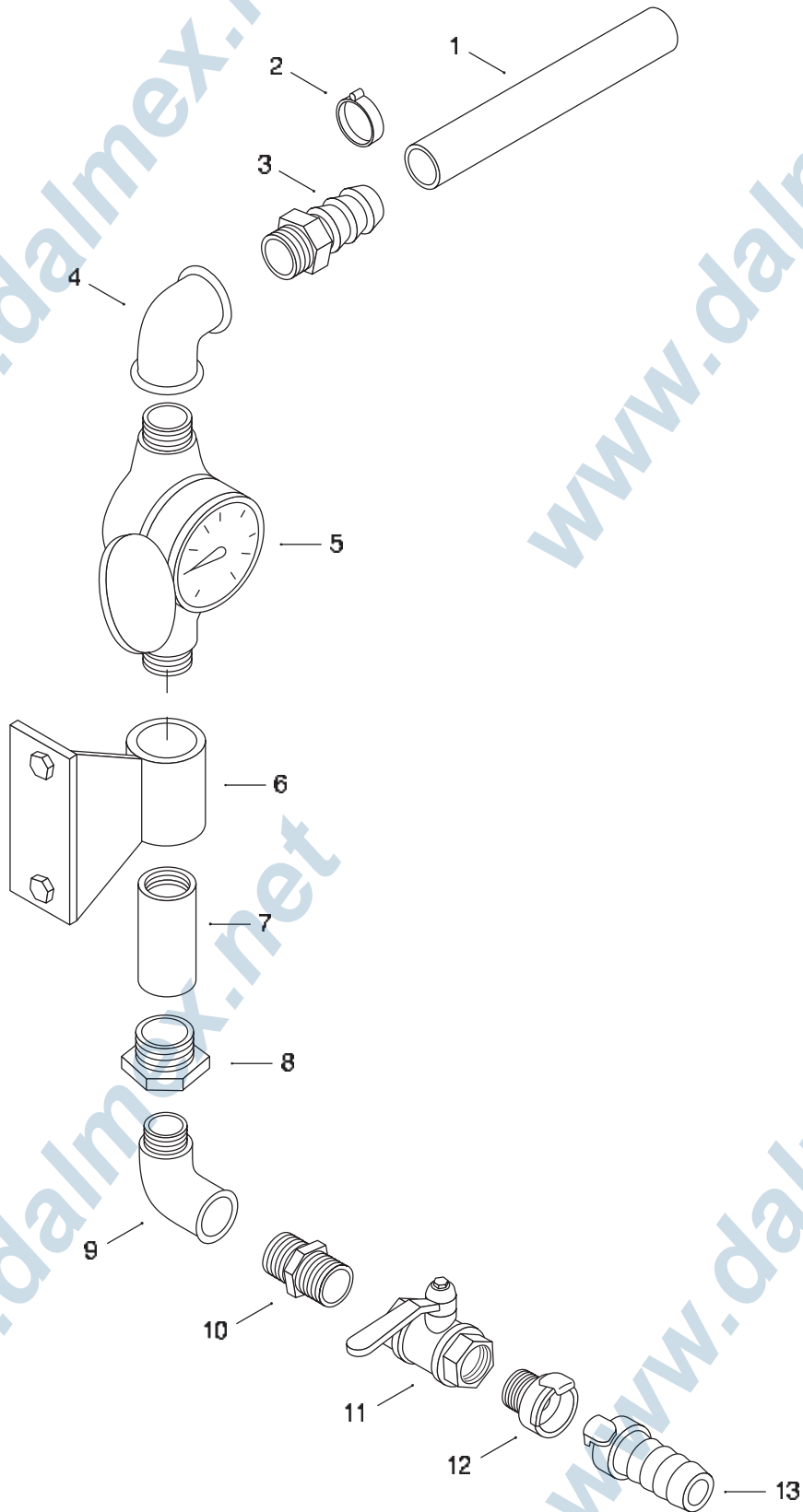


NP	N° REF	Q.TY	DESCRIPTION
<b>Injection gun Ø 25 without air flow code 216.299</b>			
1	64C.028	1	Anti-freeze insulated PVC pipe Ø 25 x 37
2	251.037	1	Half coupling 1" for injection gun
3	212.113	1	Reinforced ball cock 1" FF with extended shaft
4	261.124	1	Screw connector 1" gas
5	266.436	1	Coupling F 1" Ø 25 in plastic
6	265.077	1	Hose clamp
<b>Hose</b>			
1	212.174	1	Hose complete with couplings (Ø 25 x 37 - 5 metres)
2	266.206	1	Coupling DN25 F 1"
3	652.116	1	Hose complete with couplings Ø 25 x 37 (5 metres)
4	64C.056	m	Hose Ø 25 x 37 - 40 bar
5	-----	1	Hose clamp
6	265.207	1	Coupling DN25 M hose end fitting/gass. Ø 24



TABLE 19 - litre counter

I-25





NP	N° REF	Q.TY	DESCRIPTION
1	640.017	1.5 m	Hose Ø 19 x 30
2	235.077	1	Hose clamp
3	261.069	1	Hose end fitting 3/4"
4	281.111	1	reducer cast-iron elbow FF 1" - 3/4"
5	212.275	1	Line counter
6	227.166	1	Line-counter bracket
7	261.243	1	Galvanised iron sleeve 1"
8	261.153	1	Cast-iron reducer 1" - 3/4"
9	261.053	1	Cast-iron elbow MF 3/4"
10	261.110	1	Cast-iron nipple 3/4"
11	212.054	1	Ball cock FF 3/4"
12	261.149	1	Automatic coupling brass M 3/4"
13	-----	1	Automatic coupling for hose-end fitting



[www.dalmex.net](http://www.dalmex.net)

[www.dalmex.net](http://www.dalmex.net)

[www.dalmex.net](http://www.dalmex.net)

[www.dalmex.net](http://www.dalmex.net)





[www.dalmex.net](http://www.dalmex.net)

[www.dalmex.net](http://www.dalmex.net)

**Wiring diagrams**

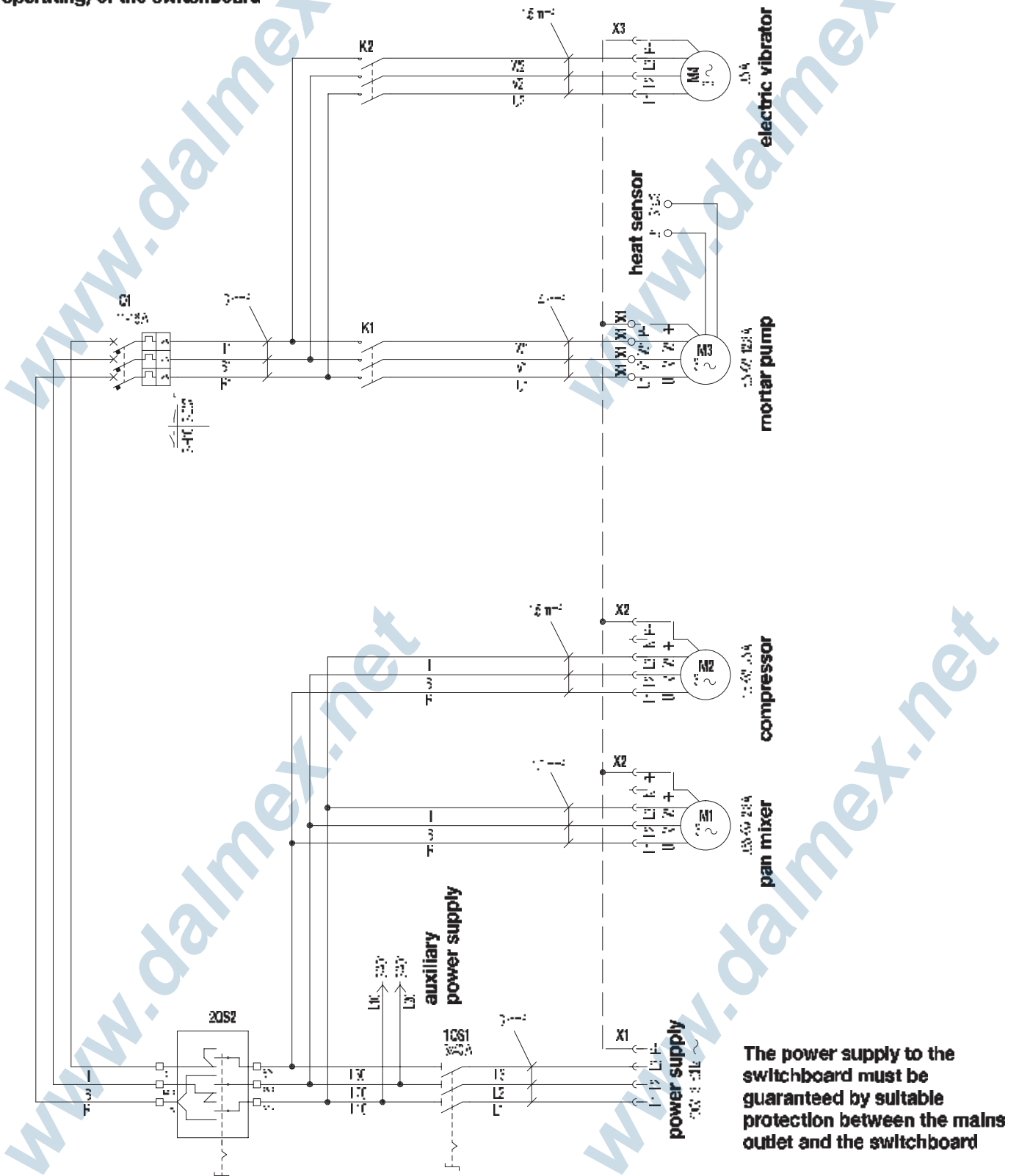
[www.dalmex.net](http://www.dalmex.net)

[www.dalmex.net](http://www.dalmex.net)



**TABLE 20 - wiring diagram**
**I-26**

The equipment and relative contacts are shown in the OFF position (non-operating) of the switchboard



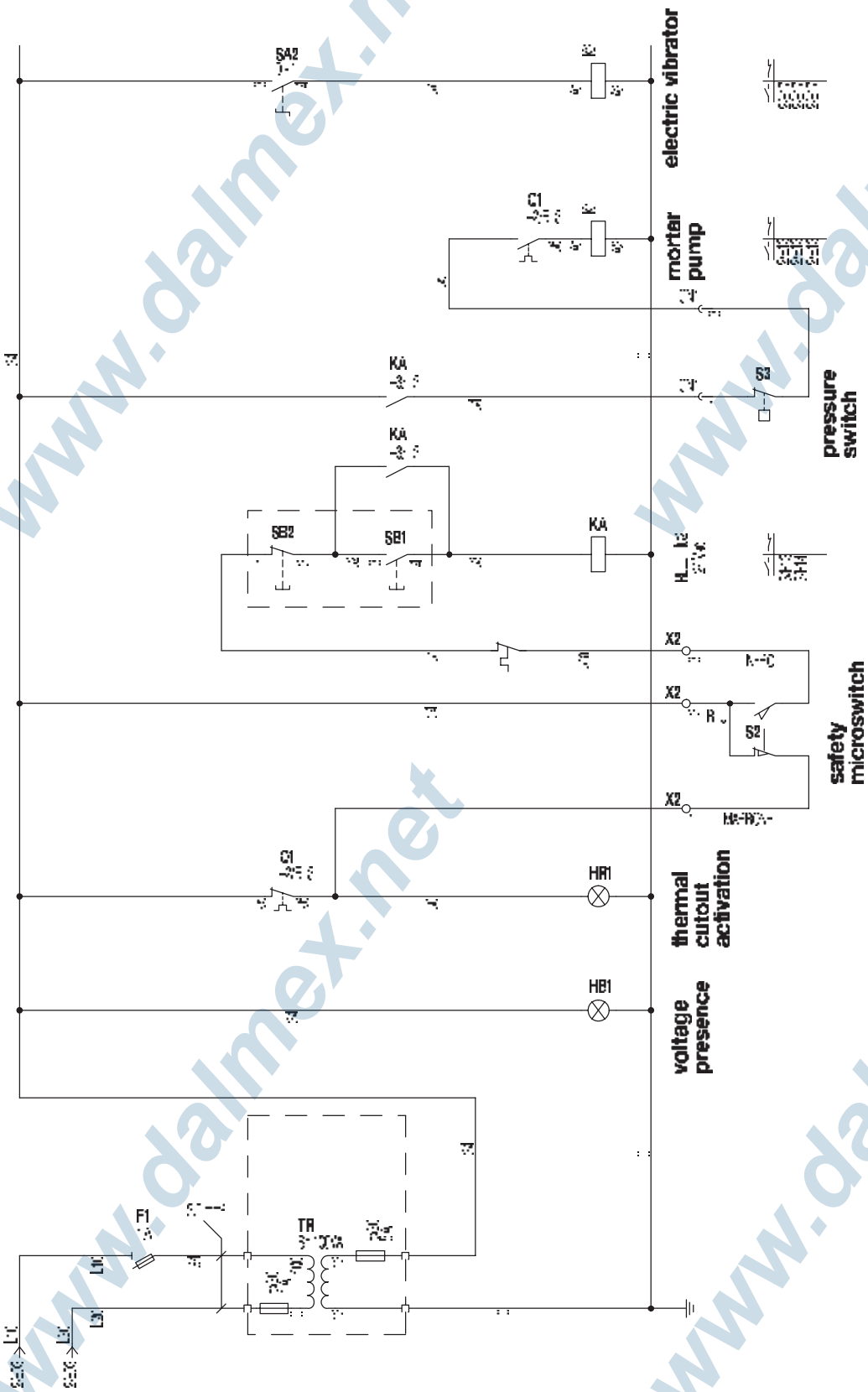
The power supply to the switchboard must be guaranteed by suitable protection between the mains outlet and the switchboard



NP	Q.TY	DESCRIPTION
2QS2	1	Tripp e-pole reverse gear
1QS1	1	On/off switch
X1	1	Socket. - power plug
X2	1	Socket. + plug
X3	1	Socket. + plug
Q1	1	Overload circuit
K1	1	Contact
K2	1	Contact
M1	1	Pan mixer motor
M2	1	Compressor motor
M3	1	Mortar pump motor
M4	1	Motor-driven vibrator

TABLE 20 - wiring diagram

I-26a





NP	Q.TY	DESCRIPTION
F1	1	Disconnectable fuse 1A
Q1	1	Thermal contact
TR	1	Transformer 100 VA
SR1	1	Start/stop button
SR2	1	
HB1	1	Voltage presence light
HR1	1	Thermal cutout activation light
S2	1	Safety microswitch
S3	1	Pressure switch
KA	1	Contact
SA2	1	Flap evaporator switch



**DALMEX**



**TURBOSOL**



**TURBOSOL**

SISTEMI DI POMPAGGIO PER L'EDILIZIA

**TURBOSOL PRODUZIONE S.P.A.**

Va Marche, 50

31030 Pero di Dreda (TV) Italia

Tel. +39 0422 90 251

Fax +39 0422 904 408

E-mail: [info@turbosol.it](mailto:info@turbosol.it)

[www.turbosol.com/](http://www.turbosol.com/)

TV  
VENEZIA