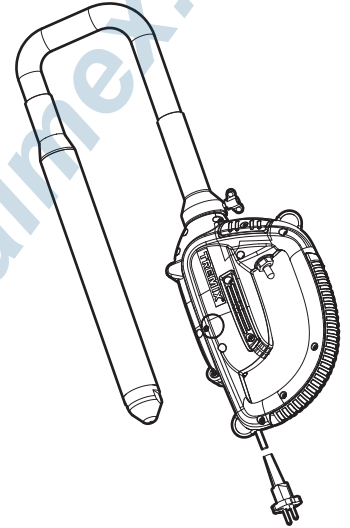




## Spare parts list

### Poker vibrators

	Valid from serial number
Electric drive unit Minivib 230 V	HP1200001
Electric drive unit Minivib 115 V, UK	HP1200001
Mechanical poker MINI25 - 1 m (3.2 ft)	
Mechanical poker MINI25 - 2 m (6.5 ft)	
Mechanical poker MINI25 - 3 m (9.8 ft)	
Mechanical poker MINI35 - 1 m (3.2 ft)	
Mechanical poker MINI35 - 2 m (6.5 ft)	
Mechanical poker MINI35 - 3 m (9.8 ft)	
Mechanical poker MINI45 - 1 m (3.2 ft)	
Mechanical poker MINI45 - 2 m (6.5 ft)	





**DALMEX**

**TREMIX®**

[www.dalmex.net](http://www.dalmex.net)

[www.dalmex.net](http://www.dalmex.net)

[www.dalmex.net](http://www.dalmex.net)

[www.dalmex.net](http://www.dalmex.net)

## Contents

General information.....	5
Spare parts list.....	6
Minivib - Drive unit 230 V.....	6
Minivib - Drive unit 115 V, UK.....	10
MINI25 - 1 m (3.2 ft), MINI25 - 2 m (6.5 ft), MINI25 - 3 m (9.8 ft).....	14
MINI35 - 1 m (3.2 ft), MINI35 - 2 m (6.5 ft), MINI35 - 3 m (9.8 ft).....	16
MINI45 - 1 m (3.2 ft), MINI45 - 2 m (6.5 ft).....	18
Wiring diagram.....	20
Kits.....	22
Maintenance kits.....	22



**DALMEX**

**TREMIX®**

[www.dalmex.net](http://www.dalmex.net)

[www.dalmex.net](http://www.dalmex.net)

[www.dalmex.net](http://www.dalmex.net)

[www.dalmex.net](http://www.dalmex.net)

## General information

This spare parts list applies to the following:

Part number	Description
4812 0513 60	Electric drive unit Minivib 230 V
4812 0512 14	Electric drive unit Minivib 115 V, UK
4812 0514 09	Mechanical poker MINI25 - 1 m (3.2 ft)
4812 0514 10	Mechanical poker MINI25 - 2 m (6.5 ft)
4812 0514 11	Mechanical poker MINI25 - 3 m (9.8 ft)
4812 0514 12	Mechanical poker MINI35 - 1 m (3.2 ft)
4812 0514 13	Mechanical poker MINI35 - 2 m (6.5 ft)
4812 0514 14	Mechanical poker MINI35 - 3 m (9.8 ft)
4812 0514 15	Mechanical poker MINI45 - 1 m (3.2 ft)
4812 0514 16	Mechanical poker MINI45 - 2 m (6.5 ft)

Use only authorized parts. Any damage or malfunction caused by the use of unauthorized parts is not covered by Warranty or Product Liability. Any unauthorized use or copying of the contents or any part thereof is prohibited. This applies in particular to trademarks, model denominations, part numbers, and drawings.

### Instructions for use

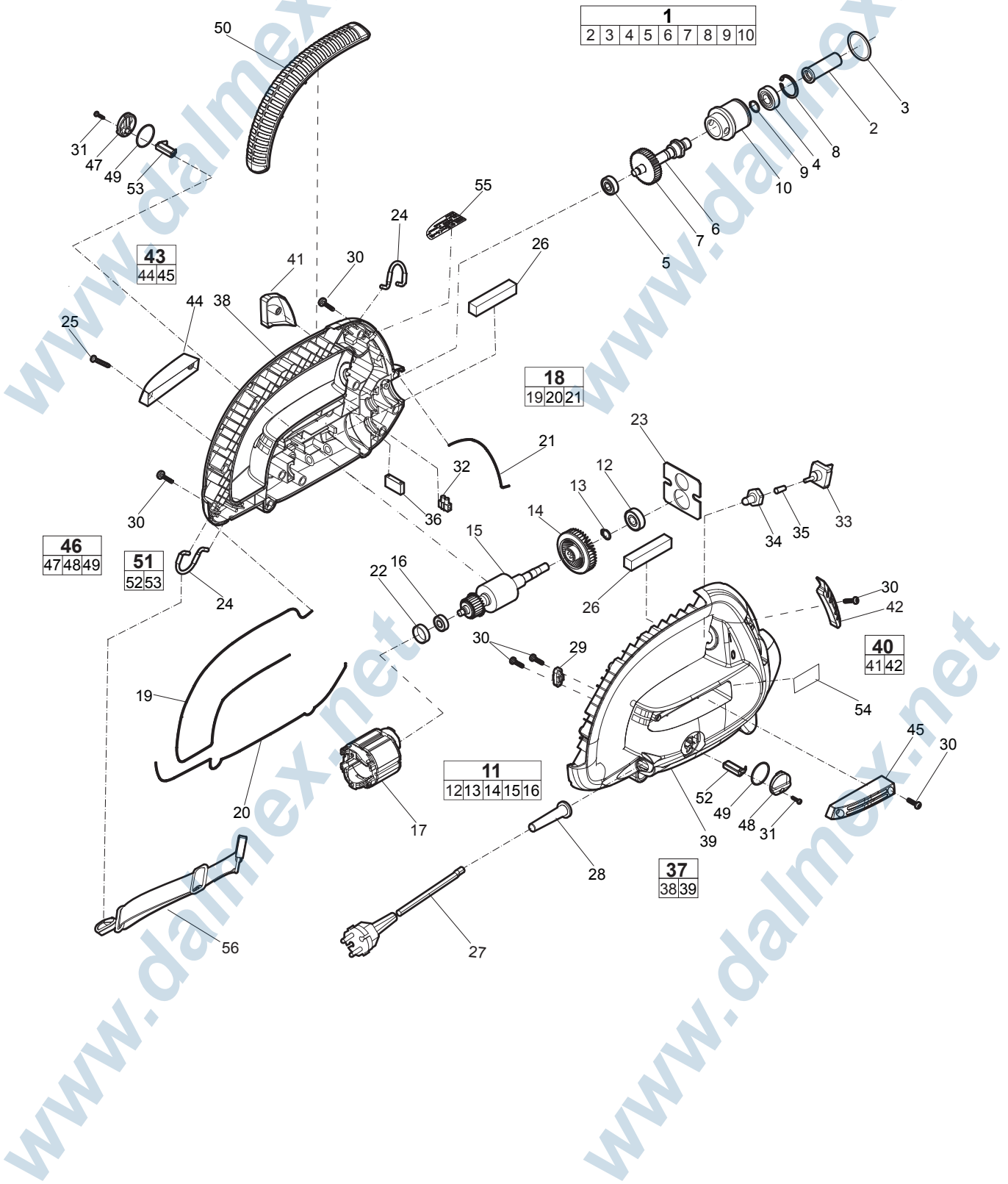
This spare parts list contains no safety regulations and is merely intended to assist in the ordering of spare parts.

For information about operating, servicing, or repairing, the relevant Safety and operating instructions must be consulted at all costs.

Please observe the safety instructions listed in the relevant Safety and operating instructions!

# Spare parts list

## Minivib - Drive unit 230 V



No.	Description	Remark	Quantity	Part number
<b>1(2-10)</b>	<b>Spindle, complete</b>		1	4812 0513 86
2	Square		1	4700 3630 18
3	O-ring	26.64 x 2.62 mm 1.05 x 1.10 in. (NBR 70 shore)	1	0663 9112 00
4	Ball bearing		1	0502 1090 14
5	Ball bearing		1	0502 1091 06
6	Spindle		1	-
7	Gear		1	-
8	Retainer ring	28 mm 1.10 in. (DIN 472)	1	0335 2130 00
9	Retainer ring	12 mm 0.47 in. (DIN 471)	1	0335 1104 43
10	Sleeve		1	-
<b>11(12-16)</b>	<b>Rotor, complete</b>	230 V	1	4812 0513 63
12	Ball bearing		1	0502 1100 85
13	Retainer ring	10 mm 0.39 in. (DIN 471)	1	0335 1112 00
14	Fan		1	4812 0514 08
15	Rotor	230 V	1	-
16	Ball bearing		1	0502 1100 86
17	Stator	230 V	1	4812 0513 65
<b>18(19-21)</b>	<b>Seal cord, complete</b>		1	4812 0514 06
19	Seal cord		1	-
20	Seal cord		1	-
21	Seal cord		1	-
22	Rubber sleeve		1	4812 0513 67
23	Plate		1	4812 0513 68
24	Belt loop		2	4812 0513 70
25	Screw	K30 x 12 mm	2	0226 3300 25
26	Foam filter		2	4812 0513 72
27	Cable with plug		1	4812 0513 73
28	Rubber sleeve		1	4812 0513 76
29	Cable locker		1	4812 0513 77
30	Screw	K40 x 16 mm	17	0226 3300 24
31	Screw	K40 x 25 mm	2	0226 3300 26
32	Terminal block		2	4700 9269 75
33	Switch		1	4700 3630 17
34	Switch cap		1	4700 3630 28
35	Switch nipple		1	4700 3632 75
36	Capacitor		1	4812 0513 78
<b>37(38-39)</b>	<b>Housing, complete</b>		1	4812 0513 79
38	Motor housing	Left	1	-
39	Motor housing	Right	1	-
<b>40(41-42)</b>	<b>Cover, complete</b>	Front	1	4812 0513 81
41	Front cover	Left	1	-
42	Front cover	Right	1	-
<b>43(44-45)</b>	<b>Rear cover, complete</b>		1	4812 0513 82
44	Rear cover	Left	1	-
45	Rear cover	Right	1	-
<b>46(47-49)</b>	<b>Brush plug, complete</b>		1	4812 0513 83
47	Brush plug	Left	1	-
48	Brush plug	Right	1	-
49	O-ring		2	0663 2106 27
50	Rubber handle		1	4812 0513 84

No.	Description	Remark	Quantity	Part number
51(52-53)	Brush set, complete		1	4812 0513 85
52	Brush		1	-
53	Shut-off brush		1	-
54	Label	"Tremix"	2	-
55	Data plate		1	-
56	Carrying strap		1	4812 0513 71

www.dalmex.net

www.dalmex.net



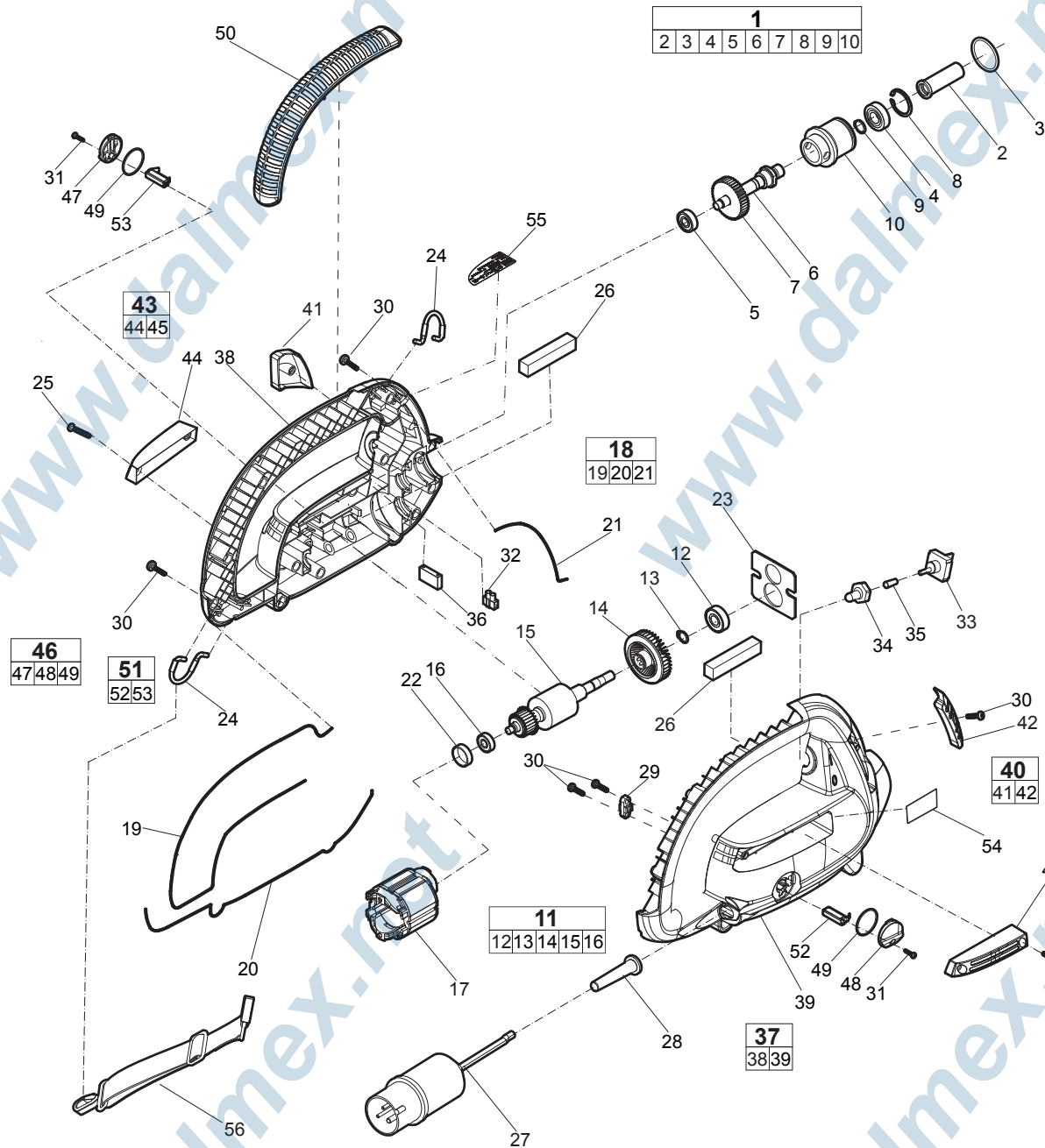
[www.dalmex.net](http://www.dalmex.net)

[www.dalmex.net](http://www.dalmex.net)

[www.dalmex.net](http://www.dalmex.net)

[www.dalmex.net](http://www.dalmex.net)

# Minivib - Drive unit 115 V, UK



No.	Description	Remark	Quantity	Part number
<b>1(2-10)</b>	<b>Spindle, complete</b>		1	4812 0513 86
2	Square		1	4700 3630 18
3	O-ring	26.64 x 2.62 mm 1.05 x 1.10 in. (NBR 70 shore)	1	0663 9112 00
4	Ball bearing		1	0502 1090 14
5	Ball bearing		1	0502 1091 06
6	Spindle		1	-
7	Gear		1	-
8	Retainer ring	28 mm (DIN 472) 1.10 in.	1	0335 2130 00
9	Retainer ring	12 mm (DIN 471) 0.47 in.	1	0335 1104 43
10	Sleeve		1	-
<b>11(12-16)</b>	<b>Rotor, complete</b>	115 V	1	4812 0513 64
12	Ball bearing		1	0502 1100 85
13	Retainer ring	10 mm 0.39 in. (DIN 471)	1	0335 1112 00
14	Fan		1	4812 0514 08
15	Rotor	115 V	1	-
16	Ball bearing		1	0502 1100 86
17	Stator	115 V	1	4812 0513 66
<b>18(19-21)</b>	<b>Seal cord, complete</b>		1	4812 0514 06
19	Seal cord		1	-
20	Seal cord		1	-
21	Seal cord		1	-
22	Rubber sleeve		1	4812 0513 67
23	Plate		1	4812 0513 68
24	Belt loop		2	4812 0513 70
25	Screw	K30 x 12 mm	2	0226 3300 25
26	Foam filter		2	4812 0513 72
27	Cable with plug		1	4812 0513 74
28	Rubber sleeve		1	4812 0513 76
29	Cable locker		1	4812 0513 77
30	Screw	K40 x 16 mm	17	0226 3300 24
31	Screw	K40 x 25 mm	2	0226 3300 26
32	Terminal block		2	4700 9269 75
33	Switch		1	4700 3630 17
34	Switch cap		1	4700 3630 28
35	Switch nipple		1	4700 3632 75
36	Capacitor		1	4812 0513 78
<b>37(38-39)</b>	<b>Housing, complete</b>		1	4812 0513 79
38	Motor housing	Left	1	-
39	Motor housing	Right	1	-
<b>40(41-42)</b>	<b>Cover, complete</b>	Front	1	4812 0513 81
41	Front cover	Left	1	-
42	Front cover	Right	1	-
<b>43(44-45)</b>	<b>Rear cover, complete</b>		1	4812 0513 82
44	Rear cover	Left	1	-
45	Rear cover	Right	1	-
<b>46(47-49)</b>	<b>Brush plug, complete</b>		1	4812 0513 83
47	Brush plug	Left	1	-
48	Brush plug	Right	1	-
49	O-ring		2	0663 2106 27
50	Rubber handle		1	4812 0513 84

No.	Description	Remark	Quantity	Part number
51(52-53)	Brush set, complete		1	4812 0513 85
52	Brush		1	-
53	Shut-off brush		1	-
54	Label	"Tremix"	2	-
55	Data plate		1	-
56	Carrying strap		1	4812 0513 71

www.dalmex.net

www.dalmex.net

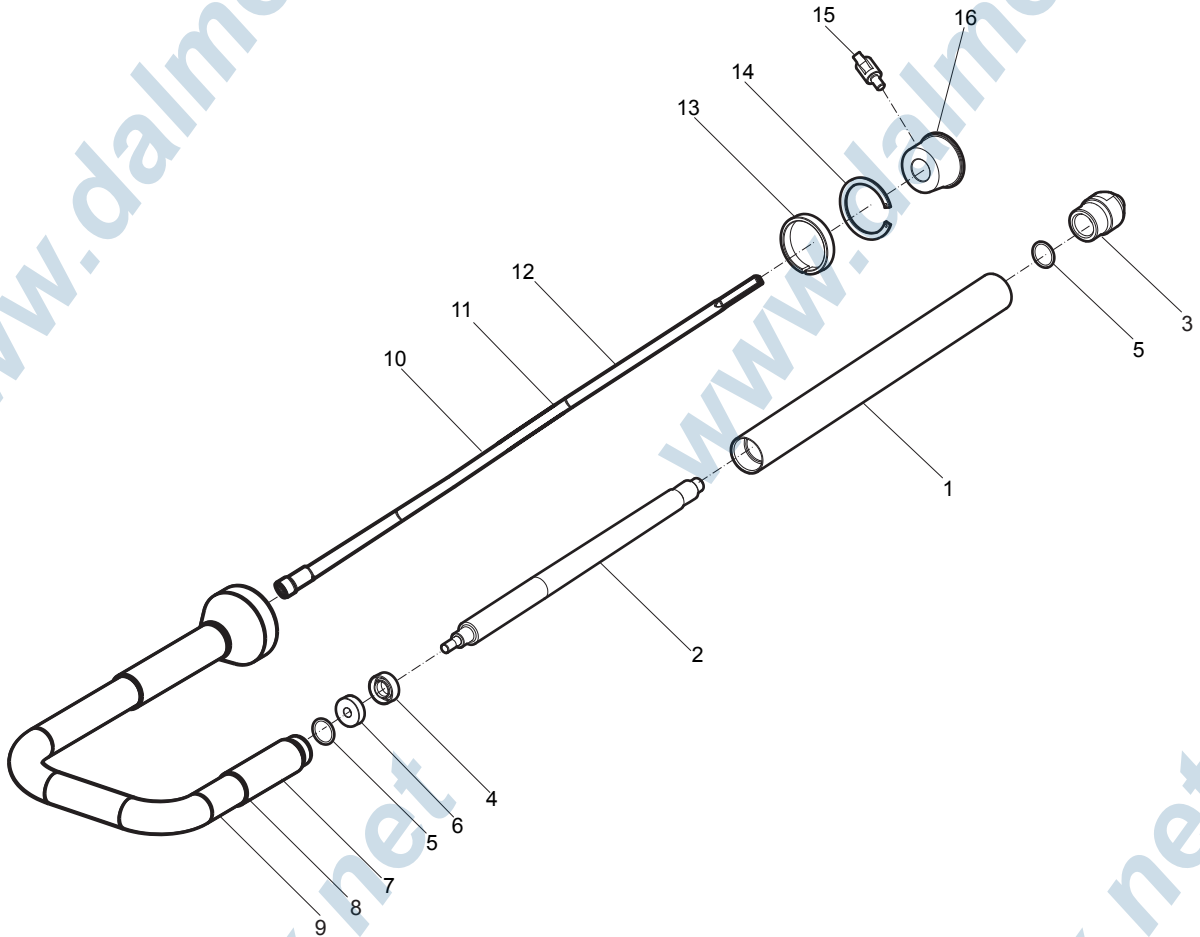
[www.dalmex.net](http://www.dalmex.net)

[www.dalmex.net](http://www.dalmex.net)

[www.dalmex.net](http://www.dalmex.net)

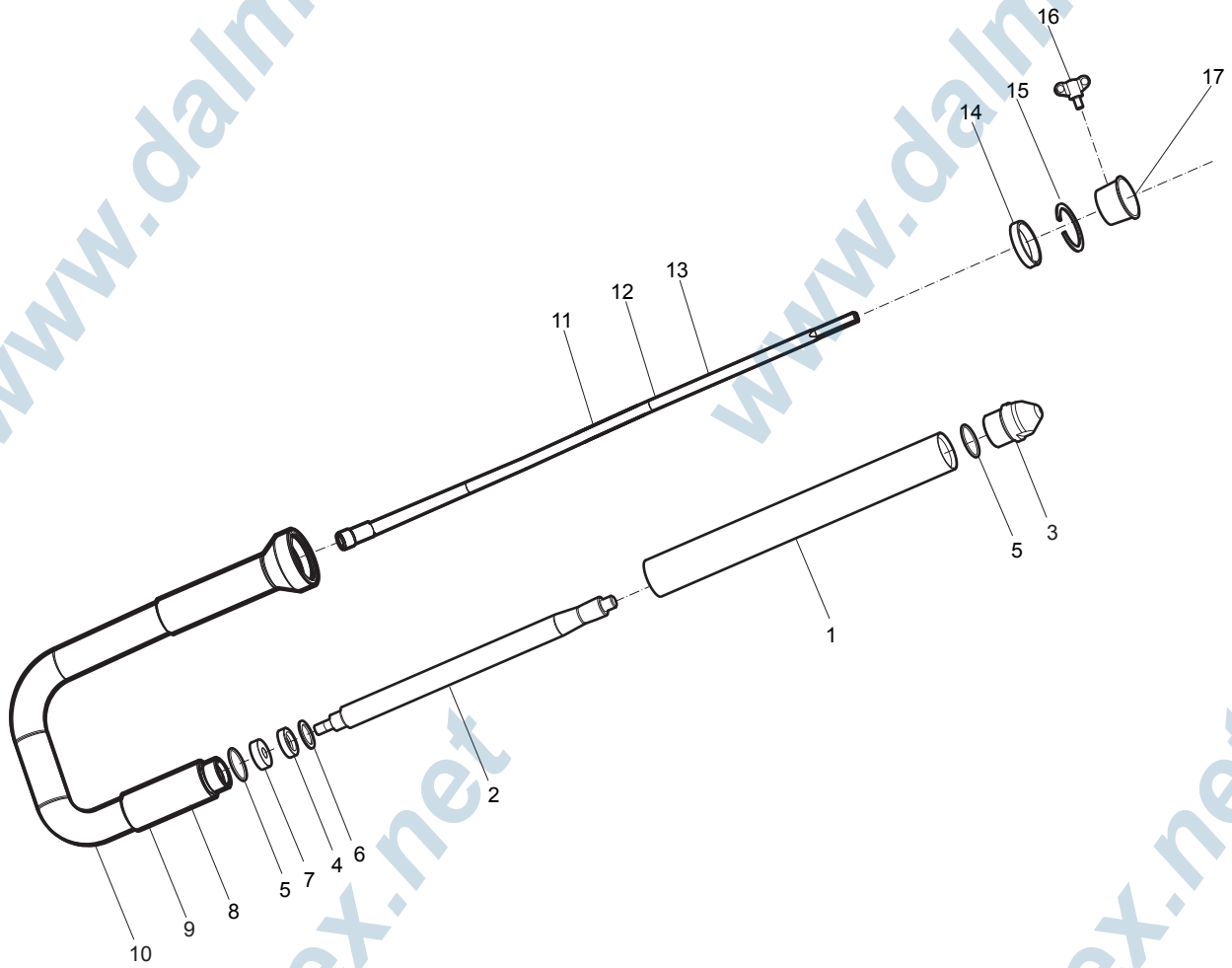
[www.dalmex.net](http://www.dalmex.net)

**MINI25 - 1 m (3.2 ft), MINI25 - 2 m (6.5 ft), MINI25 - 3 m (9.8 ft)**



No.	Description	Remark	Quantity	Part number
1	Tube		1	4700 3691 88
2	Pendulum		1	4700 3691 86
3	Cap		1	4700 3691 87
4	Lipseal	19 x 10 x 7 mm 0.75 x 0.39 x 0.27 in.	1	4700 1845 60
5	O-ring	14.1 x 1.6 mm 0.55 x 0.06 in. (70 shore)	2	0663 6121 00
6	Ball-bearing		1	4700 1850 86
7	Hose	1 m (3.2 ft)	1	4812 0512 42
8	Hose	2 m (6.5 ft)	1	4812 0512 43
9	Hose	3 m (9.8 ft)	1	4812 0512 44
10	Flexible shaft	1 m (3.2 ft)	1	4812 0512 24
11	Flexible shaft	2 m (6.5 ft)	1	4812 0512 36
12	Flexible shaft	3 m (9.8 ft)	1	4812 0512 39
13	Slotted sleeve		1	4700 3630 80
14	Retainer ring		1	4700 3624 89
15	Handle		1	4700 3631 11
16	Cap		1	4700 9262 10

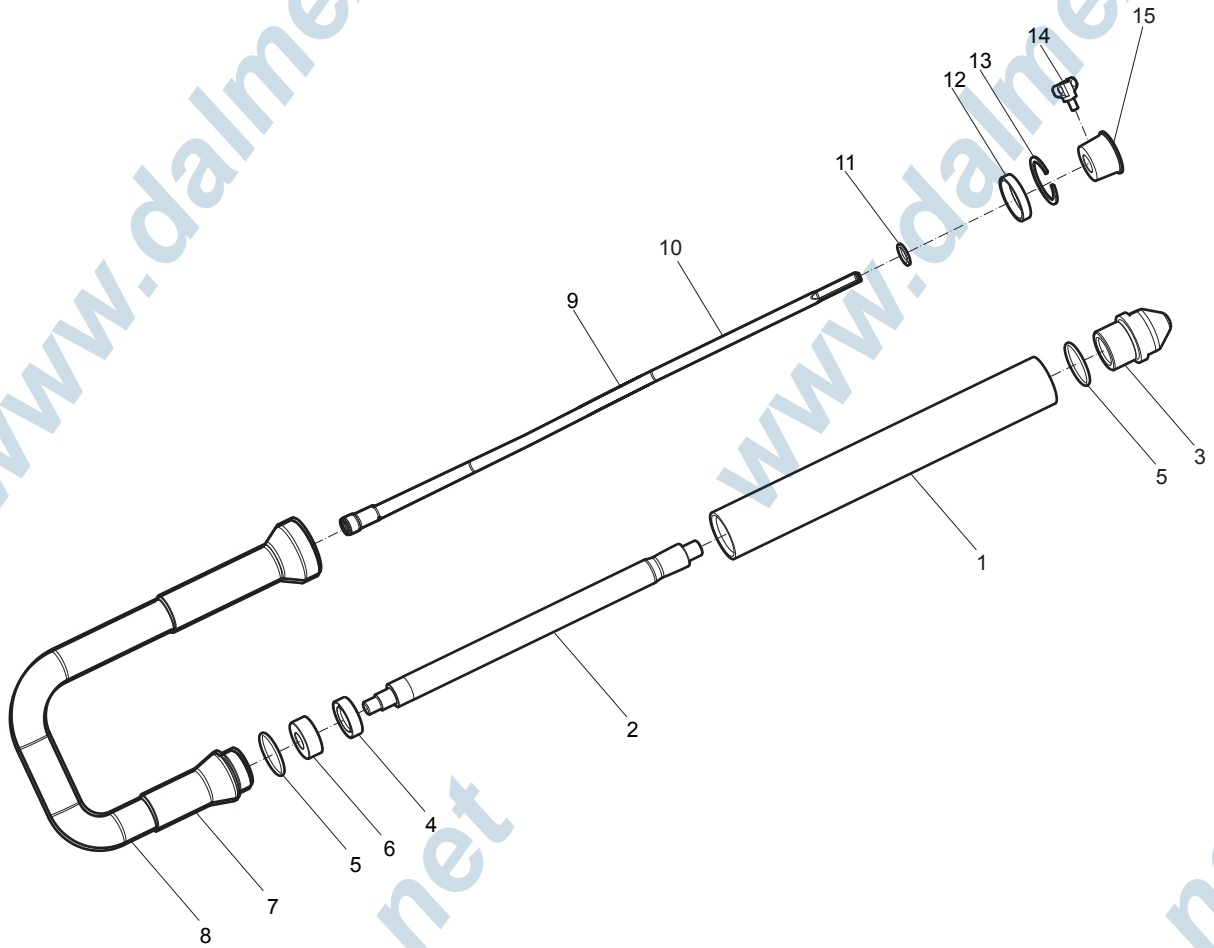
**MINI35 - 1 m (3.2 ft), MINI35 - 2 m (6.5 ft), MINI35 - 3 m (9.8 ft)**





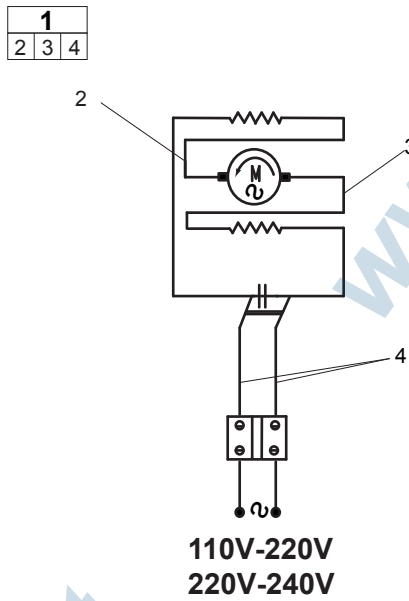
No.	Description	Remark	Quantity	Part number
1	Tube		1	4700 3690 46
2	Pendulum		1	4700 3690 43
3	End cap		1	4700 3690 45
4	Lipseal	15 x 26 x 7 mm 0.60 x 1.02 x 0.27 in.	1	4700 3690 44
5	O-ring	22.2 x 2 mm 0.87 x 0.08 in. (70 shore)	2	4700 1603 11
6	Washer	19 x 26 x 1.5 mm 0.75 x 1.02 x 0.06 in.	1	4700 3690 47
7	Ball bearing		1	4700 1845 69
8	Hose	1 m (3.2 ft)	1	4812 0512 46
9	Hose	2 m (6.5 ft)	1	4812 0512 45
10	Hose	3 m (9.8 ft)	1	4812 0512 25
11	Flexible shaft	1 m (3.2 ft)	1	4812 0512 16
12	Flexible shaft	2 m (6.5 ft)	1	4812 0512 17
13	Flexible shaft	3 m (9.8 ft)	1	4812 0512 40
14	Slotted sleeve		1	4700 3630 80
15	Retainer ring		1	4700 3624 89
16	Handle		1	4700 3631 11
17	Cap		1	4700 9262 10

**MINI45 - 1 m (3.2 ft), MINI45 - 2 m (6.5 ft)**



No.	Description	Remark	Quantity	Part number
1	Tube		1	4700 3690 52
2	Pendulum		1	4700 3690 50
3	End cap		1	4700 3690 51
4	Lipseal	35 x 22 x 10 mm 1.38 x 0.87 x 0.39 in.	1	4700 1845 80
5	O-ring	35 x 2 mm 1.38 x 0.08 in. (70 shore)	2	4700 1600 15
6	Ball bearing		1	4700 1003 98
7	Hose	1 m (3.2 ft)	1	4812 0512 27
8	Hose	2 m (6.5 ft)	1	4812 0512 41
9	Flexible shaft	1 m (3.2 ft)	1	4812 0512 26
10	Flexible shaft	2 m (6.5 ft)	1	4812 0512 35
11	Washer		1	4700 1108 78
12	Slotted sleeve		1	4700 3630 80
13	Retainer ring		1	4700 3624 89
14	Handle		1	4700 3631 11
15	Cap		1	4700 9262 10

# Wiring diagram



No.	Description	Remark	Quantity	Part number
1(2-4)	Wire, complete		1	4812 0514 06
2	Wire		1	-
3	Wire		1	-
4	Wire		1	-

www.dalmex.net

www.dalmex.net

# Kits

## Maintenance kits

### Vibrating head for MINI25

Description	Remark	Quantity	Part number
Vibrating head kit		1	4700 3691 94
Ball bearing		1	-
Sealing sleeve		1	-
O-ring		1	-
O-ring	14.1 x 1.6 mm 0.55 x 0.06 in. (70 shore)	2	-

### Vibrating head for MINI35

Description	Remark	Quantity	Part number
Vibrating head kit		1	4700 3691 95
Ball bearing		1	-
Seal ring		1	-
O-ring		1	-
O-ring	22.2 x 2 mm 0.87 x 0.08 in. (70 shore)	2	-
Washer		1	-

### Vibrating head for MINI45

Description	Remark	Quantity	Part number
Vibrating head kit		1	4700 3691 96
Ball bearing		1	-
Seal ring		1	-
O-ring		1	-
O-ring	35 x 2 mm 1.38 x 0.08 in. (70 shore)	2	-
Washer		1	-



**DALMEX**

**TREMIX®**

[www.dalmex.net](http://www.dalmex.net)

[www.dalmex.net](http://www.dalmex.net)

[www.dalmex.net](http://www.dalmex.net)

[www.dalmex.net](http://www.dalmex.net)



[www.dalmex.net](http://www.dalmex.net)

[www.dalmex.net](http://www.dalmex.net)

[www.dalmex.net](http://www.dalmex.net)

[www.dalmex.net](http://www.dalmex.net)

Any unauthorized use or copying of the contents or any part thereof is prohibited.  
This applies in particular to trademarks, model denominations, part numbers, and drawings.

No. 9800 1294 01 | 2012-02-07